

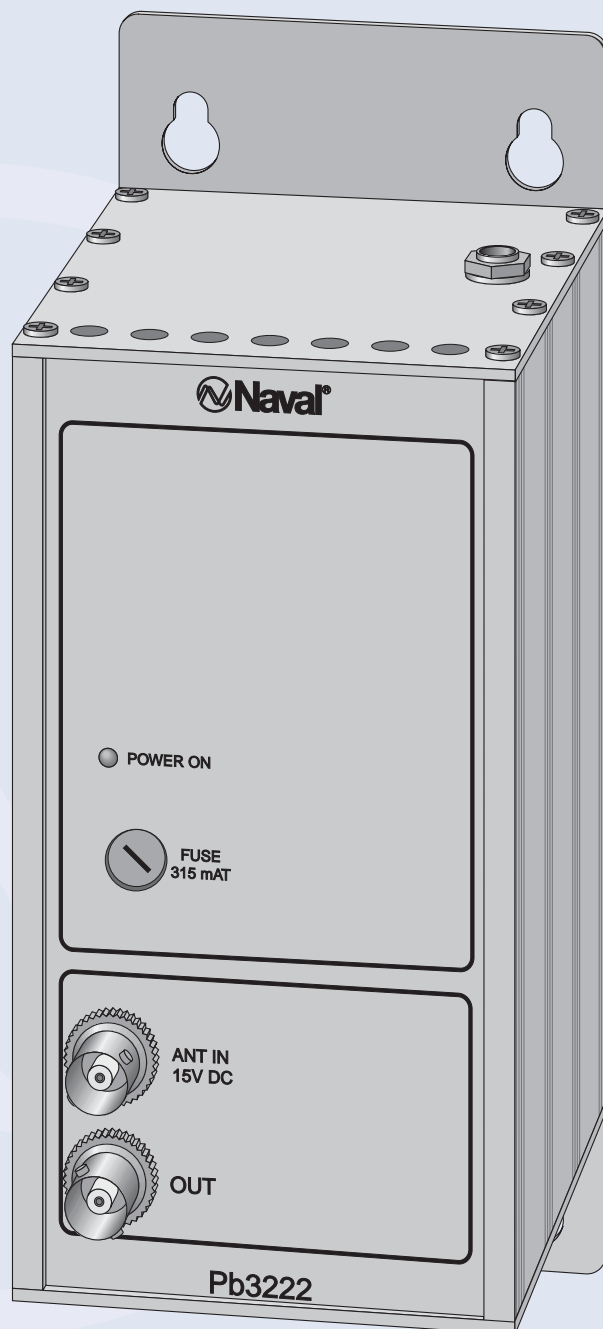
Power supply Pb 3222

Powersupply PB 3222 is constructed to supply the Naval cassette amplifier system with 24V DC, and any of the Naval active antennas type Mark 20CA, 22CA or VPA 30 with 15V DC. Pb 3222 has a time-delay for the antenna cut-out-function thereby making it possible to connect the remote cut-out cables directly to transmitters operating in full-break-in high speed tele-graphy mode. The antenna will be cut out approx. 3 sec. after relay release. Pb 3222 is equipped with a hybrid regulator with following features: High output current capacity. Internal thermal overload protection. Output short circuit protection. Input overvoltage surge rejection. High regulation capacity. The antenna connection is fed with 15V DC and current-limited to approx 400 mA. The HF-signal from the antenna is coupled to the amplifier inputs through a DC block.

TECHNICAL SPECIFICATIONS

TYP PB 3222

Input voltage:	201.347	235 ±5%, 50–60 Hz 117 V AC ±5% 24 V DC ±5%
Output voltage:		
Max. output current: (cassettes)	1.0 A	
Output voltage:	15 V DC	
Max. output current: (aerial)	350 mA	
Input/Output impedance:	75 ohm	
Operational temp range:	-40 – +60°C.	



Size: (H) 210 x (W) 82 x (D) 96 mm

0309

Since 1971, the objective of Naval Electronics has been to offer the best possible products for TV and Radio reception at sea. Naval began with omnidirectional antennas and is the world leader in this field of technology today. Now, with an expanded product range, the name Naval means much more than antennas. Naval operates in more than 40 countries and has installations on thousands of vessels all over the world.

All specifications stated are subject to change without notice.



Marine Broadband Communication

Naval Electronics AB

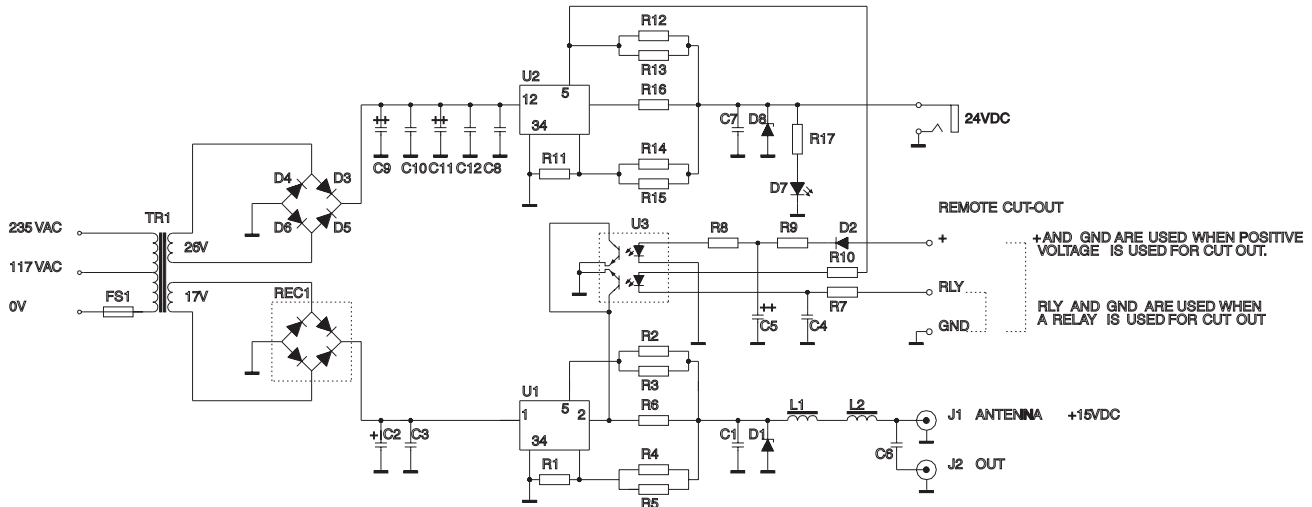
Höjrodergatan 18, SE-212 39 Malmö, Sweden

Tel. +46(0)40-29 20 45. Fax +46(0)40-18 74 13

E-mail: sales@naval.se www.naval.se

6102

Power supply Pb 3222



COMPONENT LIST PB 3222

REF.		NAVAL NO.						
R1	680W	111.069	C6	0.1u/63V		REC1	B80 C15001000	101.005
R2	4.7W	111.017	C7	0.1u/63V		TR1	Pb3222 Transformer	157.016
R3	4.7W		C8	0.1u/63V		J1	BNC	141.010
R4	6.8k	111.093	C9	2200m/50V		J2	BNC	
R5	5.6k	111.091	C10	2200m/50V		FS1	Fuse holder	162.044
R6	1k	111.073	C11	2200u/50V				
R7	47W	111.041	C12	2200u/50V				
R8	2.2k	111.081	D1	BZX55/C30	101.055			
R9	47W		D2	1N4002	101.001			
R10	2.2k		D3	1N5401	101.030			
R11	680W		D4	1N5401				
R12	1.5W/1W 4 mod	114.099	D5	1N5401				
R13	1.5W/1W 4 mod		D6	1N5401				
R14	8.2k	111.095	D7	LED green 3mm	101.029			
R15	15k	111.101	D8	BZX55/C30				
R16	1k							
R17	2.2k							
			U1	L200CV	102.010			
C1	0.1u/63V	121.007	U2	L200CV				
C2	2200u/50V	122.030	U3	TLP-621-2	103.038			
C3	0.1u/63V							
C4	330u/40V	122.031	L1	200m	131.023			
C5	330u/40V		L2	Zd6/4	131.002			

SPARE PARTS

U1/U2	L200CV
L1	200u
REC1	B80CI500
Fuse	315 mA
Fuse	630 mA

Sparepart-Kit 202.347

Specifications stated are subject to change without notice