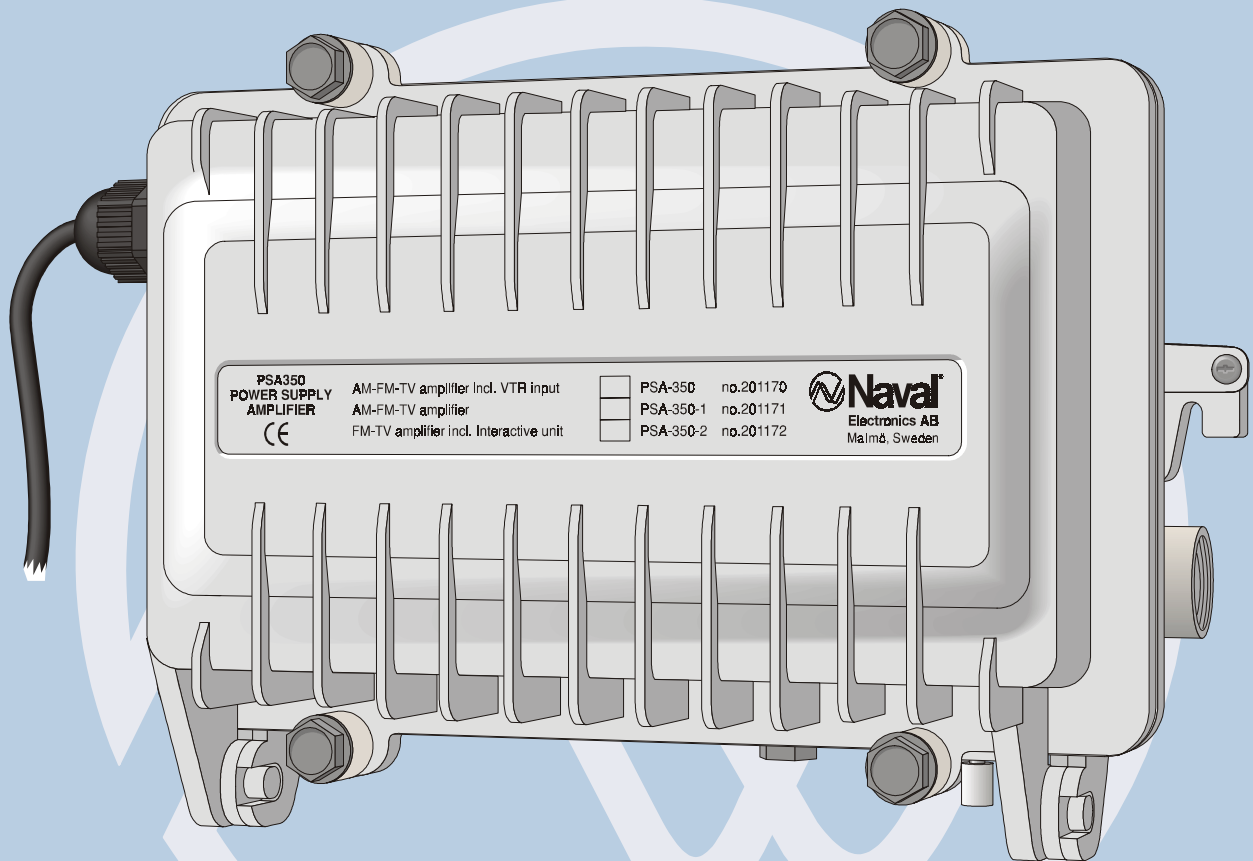


Power supply and Amplifier PSA 350-serie

Technical manual

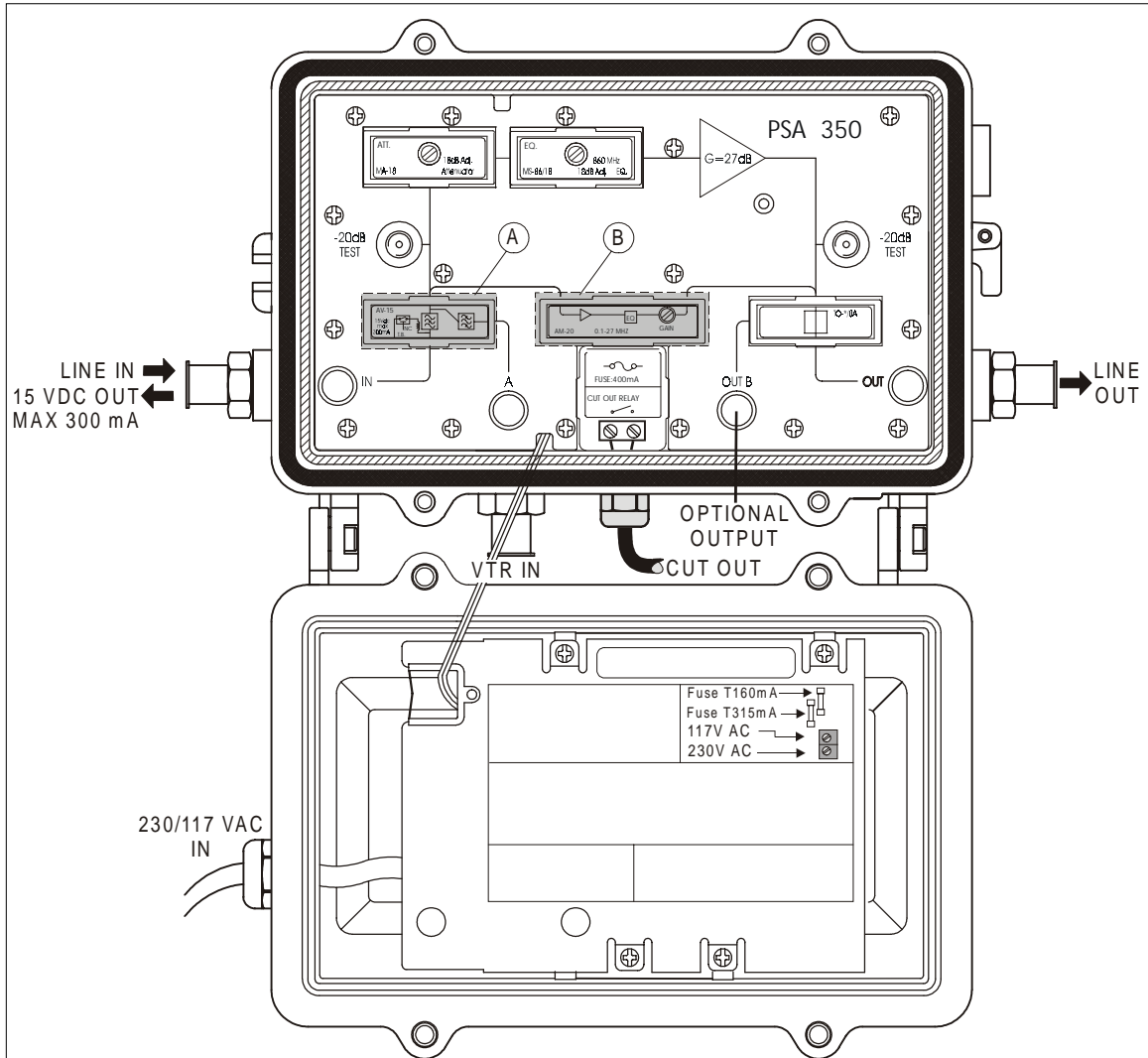


The PSA 350-serie power supply and amplifier is designed to amplify radio and TV signals for distribution in a medium-sized network. PSA 350 with an additional RA-15 plug in module can also be used for interactive systems. The power supply accepts 117 and 230 VAC. Like all other Naval products, the PSA 350 series is designed to meet the special requirements of world-wide marine use. See overleaf for further details of specific applications.



Marine Broadband Communication

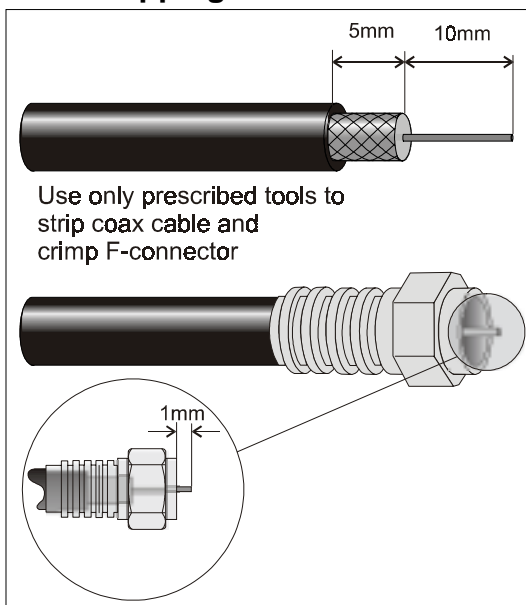
Block and connection diagram PSA 350



AVAILABLE VERSIONS				
ART.NO	NAME	TYPE	POS.A	POS.B
201 170	PSA-350	AM-FM-TV AMPL.+VTR INPUT	T AV-15	T AM-20
201 171	PSA-350/1	AM-FM-TV AMPLIFIER	T TO-*/0A	T AM-20
201 172	PSA-350/2	FM-TV AMPL.+INTERACTIVE UNIT	T TO-*/0A	T RA-15
201 170-0	PSA-350-0	FM-TV AMPL.	T TO-*/0A	O T

OTC Other units can only be changed after factory approval.

Coax stripping



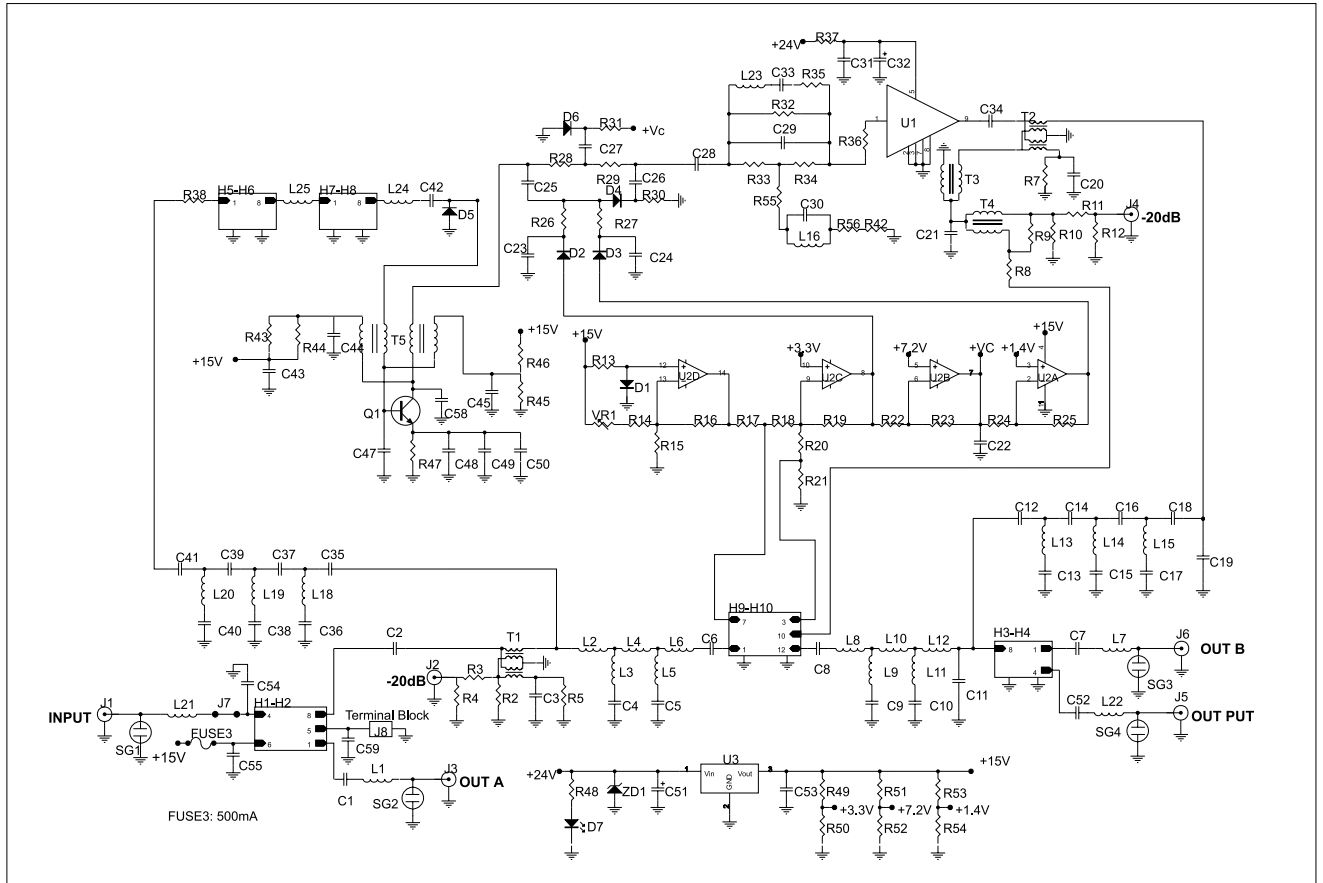
Connecting PSA 350

The PSA-350 equipment shall be installed by approved/qualified installer. For class II installation, power cord must be changed. The power supply in PSA-350 is equipped with CE approved powercable as standard.

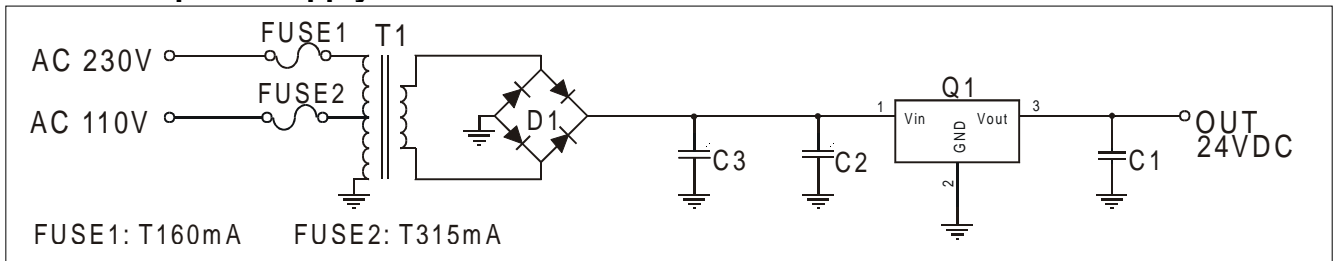
The in, out and VTR parts are normally mounted with a F-female adapter, to use a standard F-male as per this sketch.

In, out and VTR can also be 5/8"-24 NEF female without the F-connector adapter.

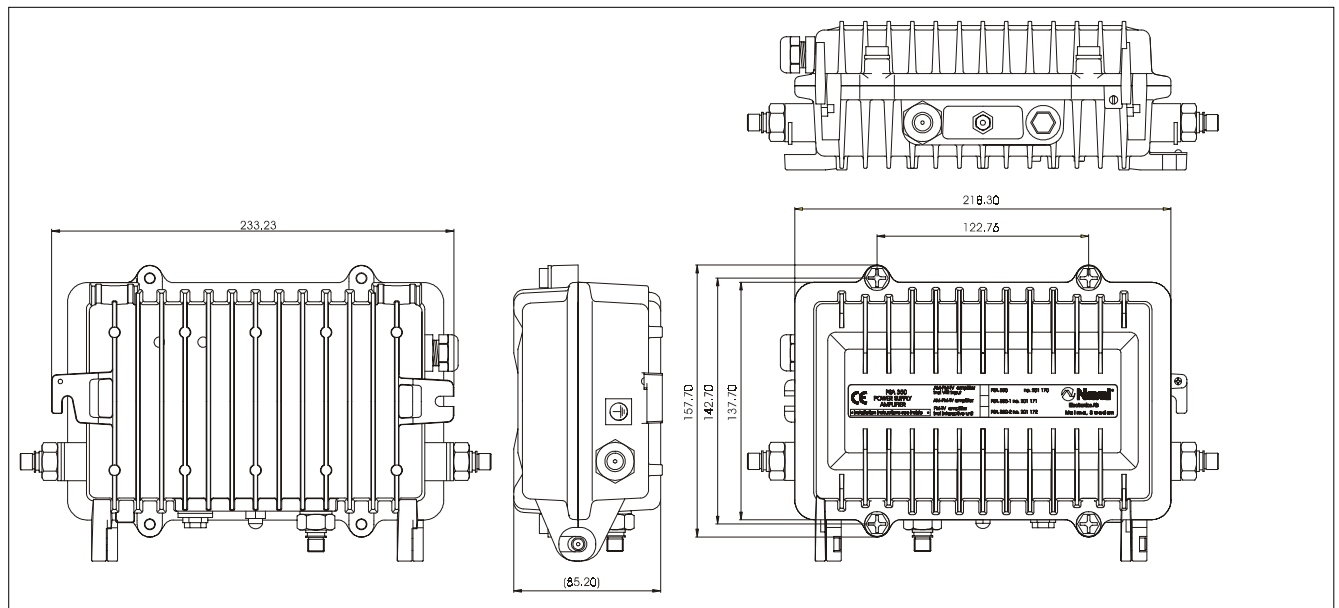
Schematic PSA 350

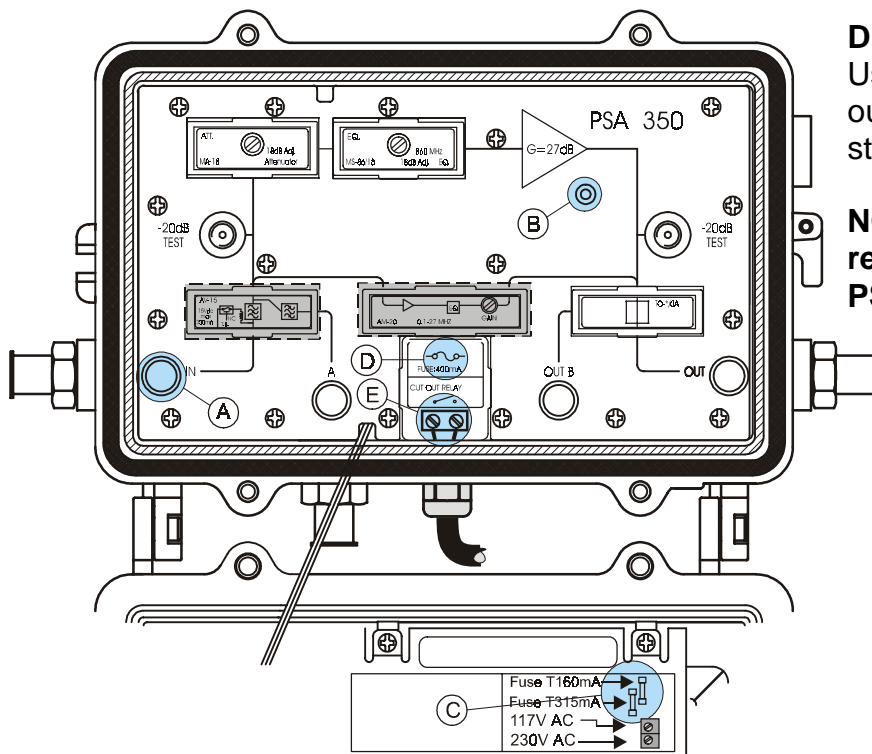


Schematic powersupply PSA 350



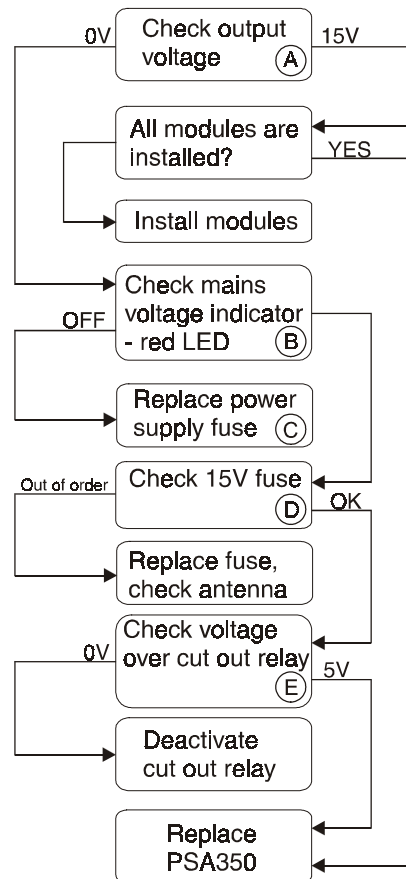
Mechanical PSA 350





Diagnostic check PSA 350
Use a voltmeter to measure output voltage and to check status of the fuses.

NOTE! This check is only relevant for PSA 350 not PSA 350-1/2



Marine Broadband Communication

Höjrodergatan 18, SE-212 39 Malmö, Sweden
Tel. +46(0)40-29 20 45 Fax +46(0)40-18 74 13
E-mail: sales@naval.se www.naval.se