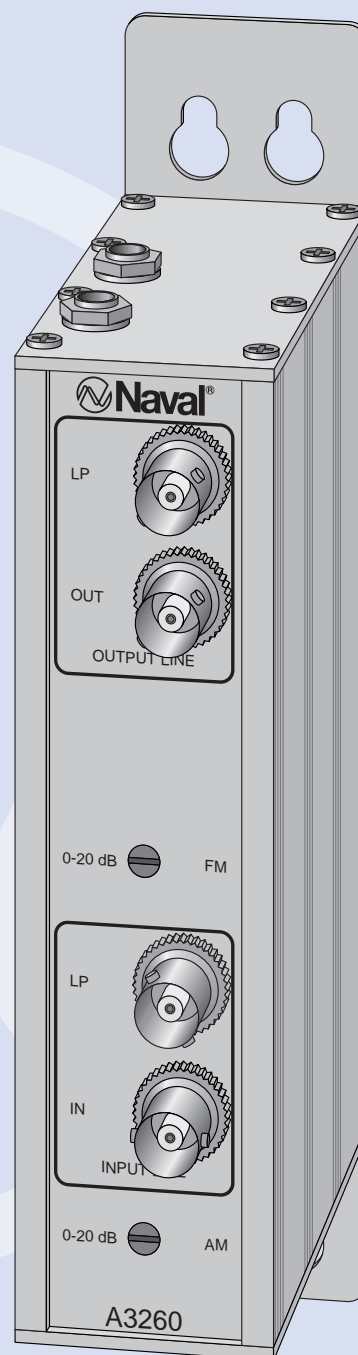


AM-FM-amplifier A 3260

A 3260 is a combined AM-FM-amplifier designed for use in smaller CAS-systems. It covers long-, medium- and short-wave as well as the FM band 88–110 MHz. Protection against static charge is obtained by protection diodes and by a gas filled arrester. The gain can be set by a 20 dB attenuator.

TECHNICAL SPECIFICATIONS

Frequency Range:	0.1–26.5 and 88–110 MHz
Gain:	AM: 40–20 dB FM: 36 dB
Noise Figure:	AM: 10 dB (typ) FM: 7 dB (typ)
Max output level:	AM 125 dBuV FM: 114 dBuV
IMA3–60 dB VO (DIN 45004B)	
Input/Output impedance:	75 Ohm
Operational temp. range:	-40 – +60 °C
Manual gain adjustment:	0–20 dB
Supply voltage:	24 V DC
Current consumption:	185 mA (approx)
Return loss 17 dB at 40 MHz:	-1.5 dB/octave



Size: (H) 210 mm x (W) 41 mm x (D) 96 mm

9410

Since 1971, the objective of Naval Electronics has been to offer the best possible products for TV and Radio reception at sea. Naval began with omnidirectional antennas and is the world leader in this field of technology today. Now, with an expanded product range, the name Naval means much more than antennas. Naval operates in more than 40 countries and has installations on thousands of vessels all over the world.

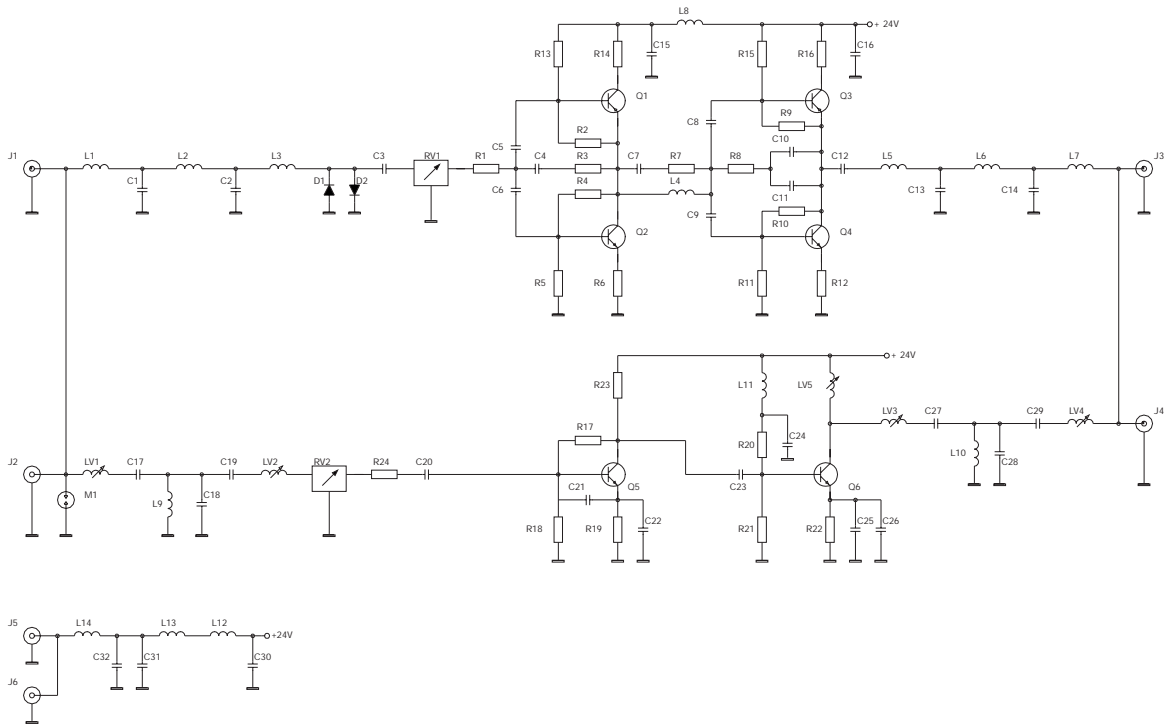
All specifications stated are subject to change without notice.

 **Naval**
Electronics AB

Höjdrodergatan 18, S-212 39 Malmö, Sweden.
Tel. +46(0)40-29 20 45. Fax +46(0)40-18 74 13.

6110

AM-FM-amplifier A 3260



COMPONENT LIST A 3260

REF.	NAVAL NO.									
R1	111.038	C4	100 pF	125.028	L1	1 uH Delevan	131.014	M1	Arrester	151.001
R2	111.097	C5	2.2 nF	125.041	L2	1.5 uH Delevan	131.020	LV1	Toko HN 090 023	132.019
R3	111.075	C6	2.2 nF		L3	1 uH		LV2	Toko HN 090 023	
R4		C7	56 pF	125.025	L4	0.5x5.5x11.5	130.085	LV3	Toko HN 090 023	
R5	111.079	C8	10 nF		L5	1 uH		LV4	Toko HN 090 023	
R6		C9	10 nF		L6	1.5 uH		LV5	Toko HN 040 023	132.016
R7	111.073	C10	100 pF		L7	1 uH			Isolationplate TO-5	162.043
R8	111.070	C11	47 pF	125.024	L8	200 uH	131.023		Coolingplate TO-5 small	165.001
R9		C12	10 nF		L9	0.5x4.0x2.5	130.002		BNC-female	141.010
R10		C13	82 pF		L10	0.5x4.0x2.5			PCB 170.202	170.202
R11	111.025	C14	82 pF		L11	0.5 uH	131.009		Silicon grease	182.023
R12		C15	1.5 uF/35V	122.001	L12	Zd 6/4	131.002			
R13		C16	1.5 uF/35V		L13	200 uH				
R14		C17	6.8 pF	125.014	L14	0.5 uH				
R15		C18	56 pF		D1	BAW 62	101.015			
R16		C19	6.8 pF		D2	BAW 62				
R17		C20	1 nF	125.040	Q1	2N2904A	100.010			
R18	111.063	C21	1.8 pF	125.007	Q2	2N2218A	100.009			
R19	111.031	C22	120 pF	125.029	Q3	2N2904A				
R20		C23	1 nF		Q4	2N2218A				
R21	111.065	C24	10 nF		Q5	BFR 91	100.002			
R22	111.047	C25	22 nF	125.044	Q6	BFW 16A	100.008			
R23	111.067	C26	1.5 uF/35V		RV1	RF-attenuator 75 ohm	115.001			
R24		C27	3.9 pF	125.011	RV2	RF-attenuator 75 ohm				
C1	125.027	C28	56 pF	125.012						
C2		C29	4.7 pF							
C3	125.043	C30	1.5 uF/35V							
		C31	1.5 uF/35V							

SPARE PARTS			
Transistor	BFR91A	1PCS	100002
Transistor	BFW16A	1PCS	100008
Transistor	2N2904A	1PCS	100010
Transistor	2N2218A	1PCS	100009
Attenuator	DR67	1PCS	115001

Sparepart-Kit 202326

Specifications stated are subject to change without notice.