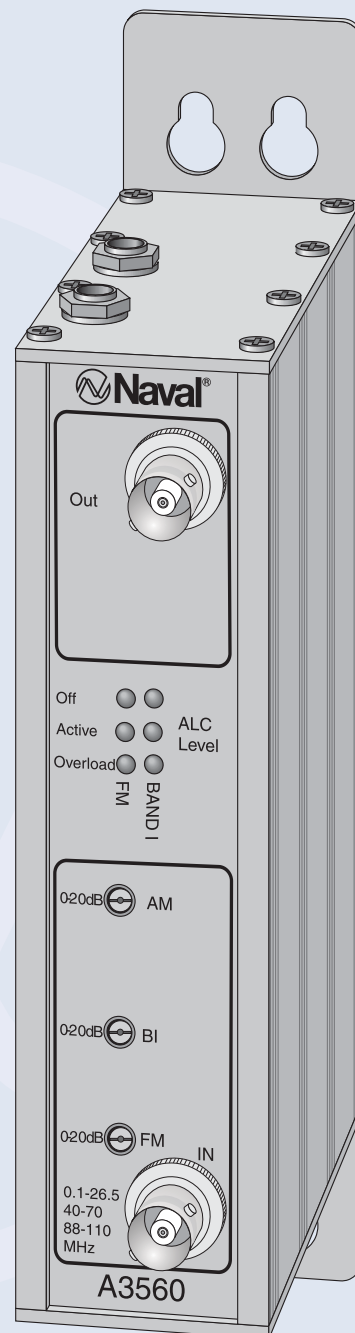


AM-FM-BI amplifier A3560

A3560 radio-amplifier covers the AM and FM bands as well as TV-band I. It is intended for use in shipborne CAS-systems and is well suited for distribution of digitally modulated signals. Two separate automatic level control circuits (ALC) help maintain the output level stable under the varying conditions often encountered aboard ships.

TECHNICAL SPECIFICATIONS

Gain/Frequency range		
AM	0.1-26.5 MHz	30 ± 2 dB
Band I	40-70 MHz (Europe)	32 ± 2 dB
FM	88-110 MHz	34 ± 2 dB
Manual attenuation		0-20 dB
ALC		
Max. output level BI		118 ± 2 dBμV (1 sign.)
Max. output level FM		118 ± 2 dBμV (1 sign.)
Range BI		>50 dB
Range FM		>45 dB
3rd order intermodulation		
Band I/FM		<60 dBc (ALC limited)
AM, 2 sign.		<60 dBc
Return loss		
AM/FM		>16 dB
Band I		>18 dB
Noise figure		
		<6 dB
Impedance		
		75 Ω
Supply voltage		
		24 V ± 10%
Current consumption		
		210 mA ± 10%
EMC		
		EN60945:2002, EN50083-2
Operational temp. range		
		-40 to 40°C



Size: (H) 210 x (W) 41X (D) 96 mm

0611

Since 1971, the objective of Naval Electronics has been to offer the best possible products for TV and Radio reception at sea. Naval began with omnidirectional antennas and is the world leader in this field of technology today. Now, with an expanded product range, the name Naval means much more than antennas. Naval operates in more than 40 countries and has installations on thousands of vessels all over the world.

All specifications stated are subject to change without notice.



Marine Broadband Communication

Naval Electronics AB

Höjrodergatan 18, SE-212 39 Malmö, Sweden

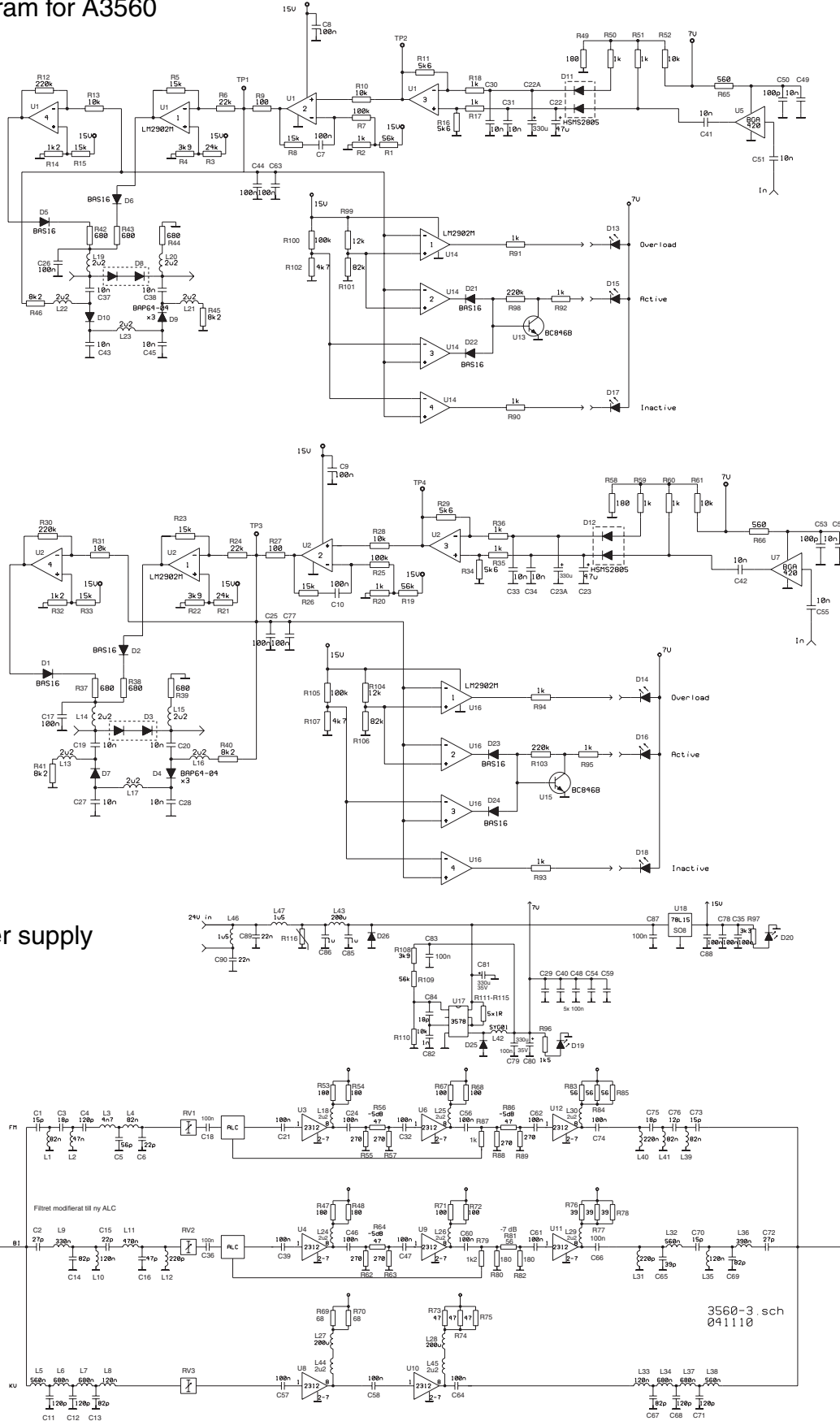
Tel. +46(0)40-29 20 45. Fax +46(0)40-18 74 13

E-mail: sales@naval.se www.naval.se

6137

AM-FM-BI amplifier A3560

Schematic diagram for A3560



Connector power supply

