

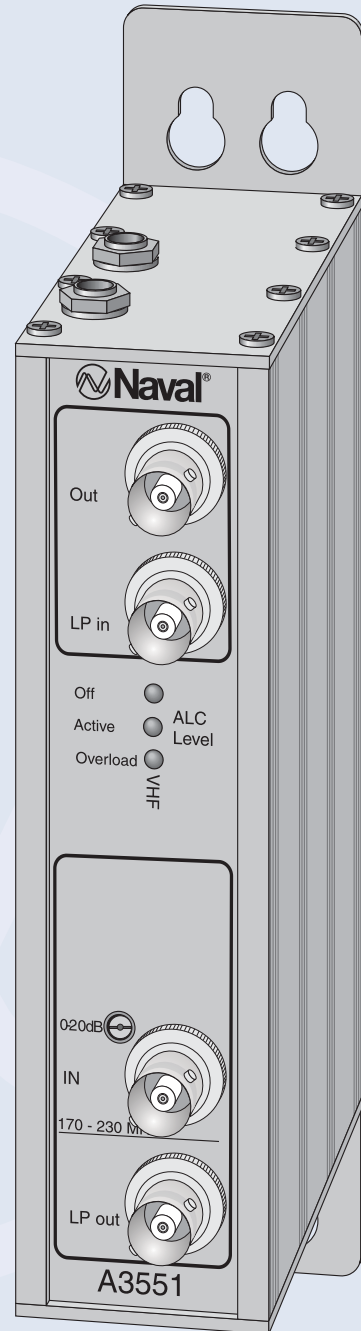
# TV-amplifier A3551

A3551 TV-amplifier covers VHF frequencies. It is intended for use in shipborne CAS-systems and is well suited for distribution of digitally modulated signals.

An automatic level control circuit (ALC) helps maintain the output level stable under the varying conditions often encountered aboard ships.

## TECHNICAL SPECIFICATIONS

<b>Gain/Frequency range</b>	
VHF 170-230 MHz	37 ± 2 dB
Gain flatness	<1 dB within any ch.
Manual attenuation	0-20 dB
<b>ALC</b>	
Max. output level	118 ± 2 dBμV (1 sign.)
Range	>40 dB
3 <sup>rd</sup> order intermodulation	<60 dBc (ALC limited)
Return loss	>16 dB
Noise figure	<5 dB
Impedance	75 Ω
Supply voltage	24 V ± 10%
Current consumption	100 mA ± 10%
EMC	EN60945:2002, EN50083-2
Operational temp. range	-40 to 40°C



Size: (H) 210 x (W) 41X (D) 96 mm

0605

Since 1971, the objective of Naval Electronics has been to offer the best possible products for TV and Radio reception at sea. Naval began with omnidirectional antennas and is the world leader in this field of technology today. Now, with an expanded product range, the name Naval means much more than antennas. Naval operates in more than 40 countries and has installations on thousands of vessels all over the world.

All specifications stated are subject to change without notice.



Marine Broadband Communication

Naval Electronics AB

Höjrodergatan 18, SE-212 39 Malmö, Sweden

Tel. +46(0)40-29 20 45. Fax +46(0)40-18 74 13

E-mail: sales@naval.se

www.naval.se

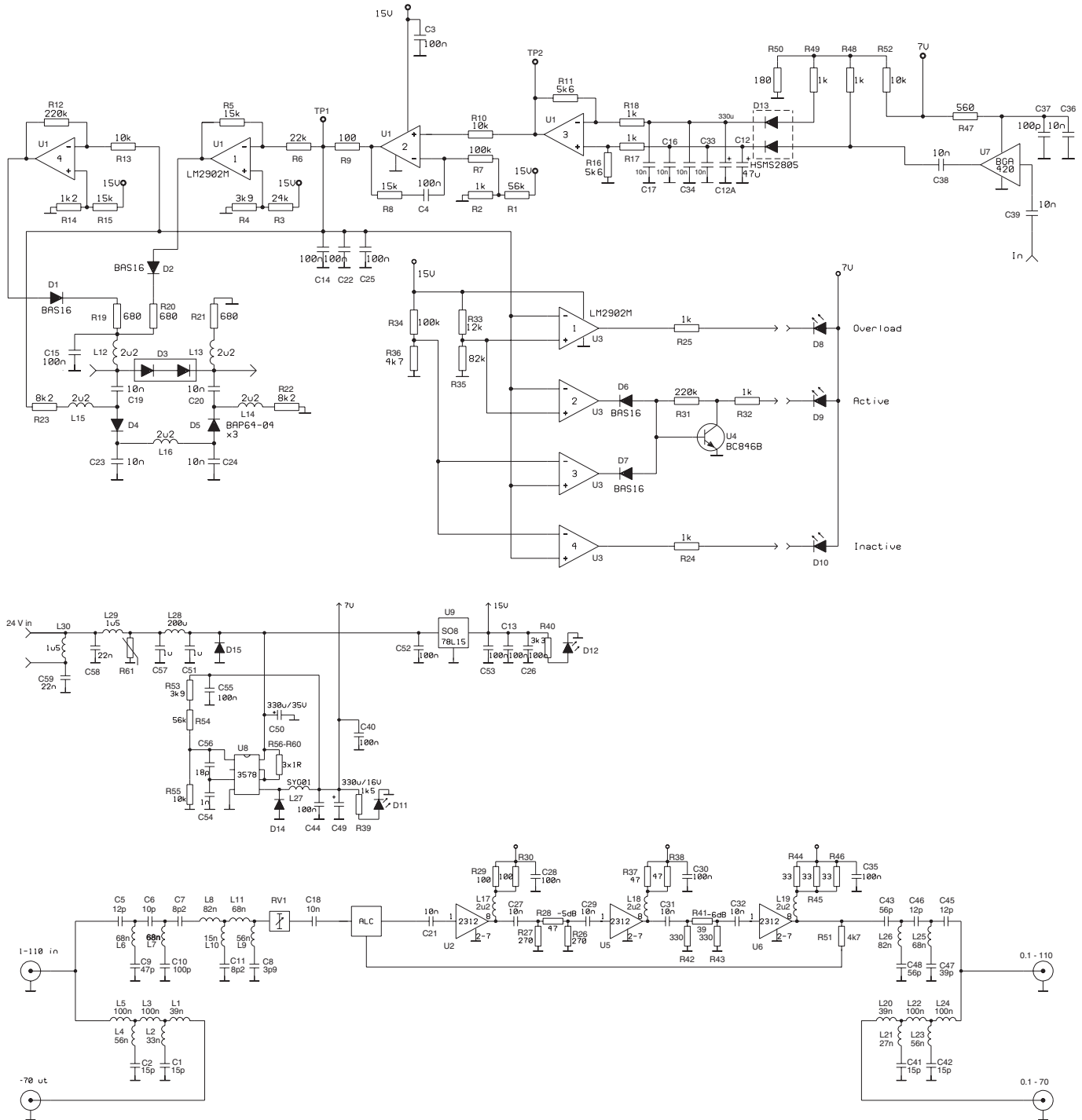


SS-EN ISO 9001

6135

# TV-amplifier A 3551

## Schematic diagram for A3551



## Connector power supply

