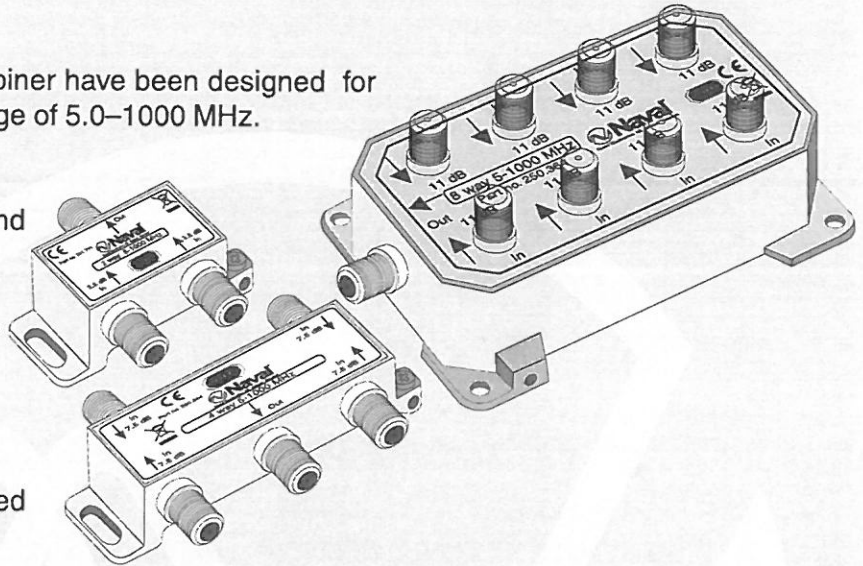


# 2-8

Naval's 2-4-8 ways combiner have been designed for use in the frequency range of 5.0–1000 MHz.

- High quality full band splitters/combiners
- Ideal for indoor use
- 2, 4 and 8 way models available
- Ground port provided
- RFI shielding and zinc alloy die casting case with nickel plated die-casting case with nickel plated



## TECHNICAL SPECIFICATIONS

2-way combiner with F-connectors female		8-way combiner with F-connectors female	
Frequency range:	5–1000 MHz	Frequency range:	5–1000 MHz
Insertion loss:		Insertion loss:	
5-10 MHz:	3.5 dB max	5-10 MHz:	11.0 dB max
10-40 MHz:	3.5 dB max	10-40 MHz:	11.0 dB max
40-470 MHz:	3.9 dB max	40-470 MHz:	11.0 dB max
470-860 MHz:	4.4 dB max	470-860 MHz:	12.5 dB max
860-1000 MHz:	4.4 dB max	860-1000 MHz:	12.5 dB max
Isolation:		Isolation:	
5-10 MHz:	24.0 dB min	5-10 MHz:	20.0 dB min
10-40 MHz:	24.0 dB min	10-40 MHz:	20.0 dB min
40-470 MHz:	24.0 dB min	40-470 MHz:	24.0 dB min
470-860 MHz:	20.0 dB min	470-860 MHz:	20.0 dB min
860-1000 MHz:	20.0 dB min	860-1000 MHz:	20.0 dB min
Return loss all ports:		Return loss all ports:	
5-10 MHz:	18.0 dB min	5-10 MHz:	18.0 dB min
10-40 MHz:	18.0 dB min	10-40 MHz:	18.0 dB min
40-470 MHz:	20.0 dB min	40-470 MHz:	20.0 dB min
470-860 MHz:	18.0 dB min	470-860 MHz:	18.0 dB min
860-1000 MHz:	18.0 dB min	860-1000 MHz:	18.0 dB min
Screening factor: (according to EN50083-2, class B)		Screening factor: (according to EN50083-2, class B)	
30-300 MHz:	85 dB min	30-300 MHz:	85 dB min
300-470 MHz:	80dB min	300-470 MHz:	80dB min
470-1000 MHz:	75 dB min	470-1000 MHz:	75 dB min
Impedance:	75 Ohm	Impedance:	75 Ohm
Dimensions (with connectors):	56 x 50 x 22 mm	Dimensions (with connectors):	127 x 58 x 40 mm

\* at 40 MHz -1.5 dB/oct

Since 1971, the objective of Naval Electronics has been to offer the best possible products for TV and Radio reception at sea. Naval began with omnidirectional antennas and is the world leader in this field of technology today. Now, with an expanded product range, the name Naval means much more than antennas. Naval operates in more than 40 countries and has installations on thousands of vessels all over the world.

All specifications stated are subject to change without notice.



Marine Broadband Communication  
Naval Electronics AB  
Höjrodergatan 18, SE-212 39 Malmö, Sweden  
Tel. +46(0)40-29 20 45. Fax +46(0)40-18 74 13  
E-mail:sales@naval.se www.naval.se

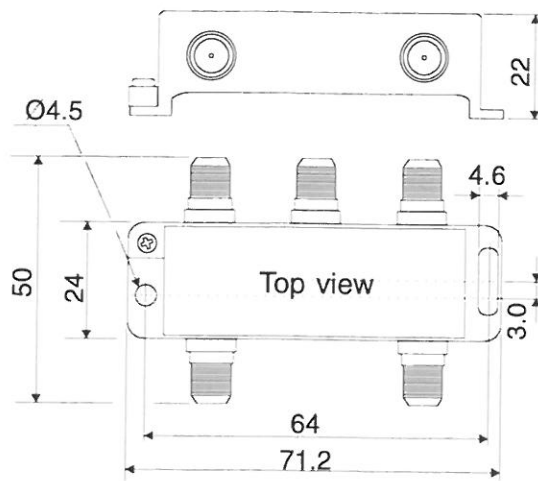
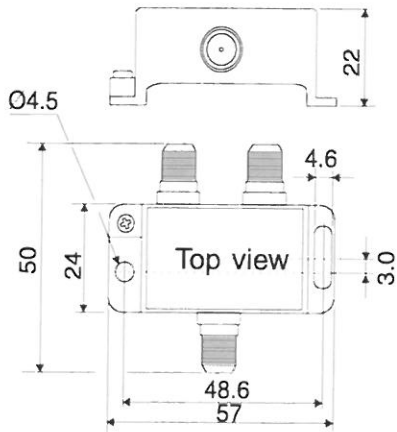
8124

# 2-4-8 ways combiner

Mechanical measurements

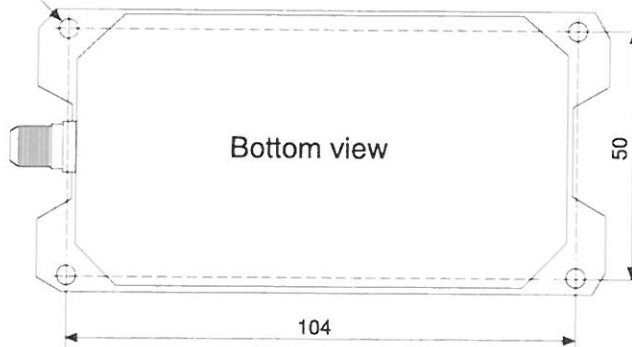
2-way combiner

5895-98-206-7783



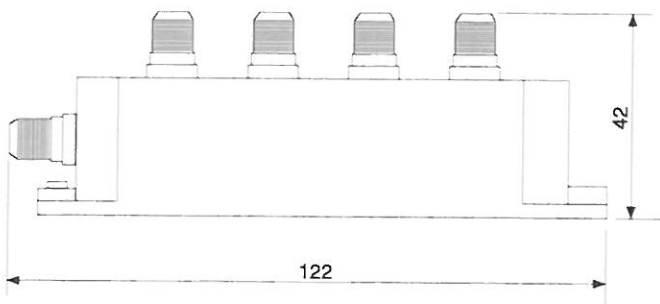
8-way combiner

O4 (4x)



### Mechanical specifications

Housing material: Zinc Di-casting  
 Housing finishing: Nickel plated  
 Connectors: "F" female



Description:	Order no:	Weight:	Standard package:
2-way	201.771	60.0 g	1
8-way	250.343	280.0 g	1