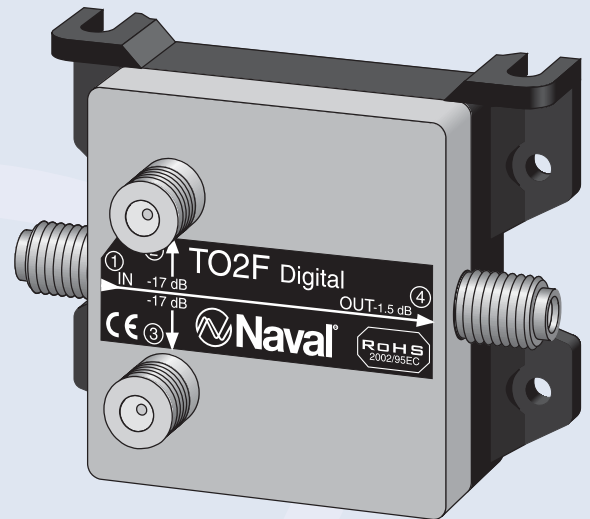


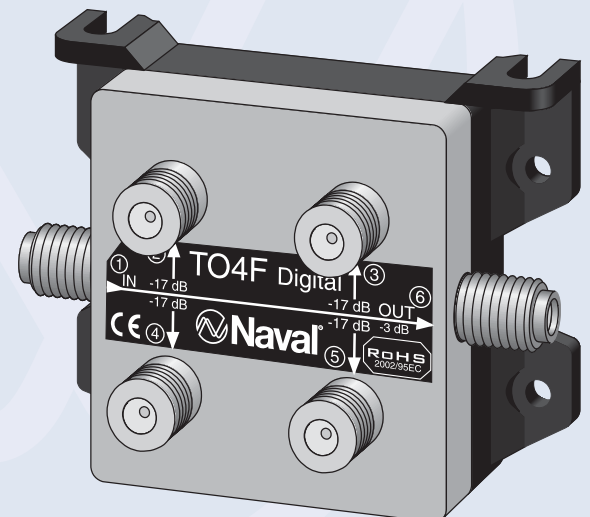
Tap-off TO2F & Tap-off TO4F

Naval digital tap-offs TO4 and TO2 have been designed especially for marine use and the complete TV/Radio frequencies of 0.1–1000 MHz worldwide. In order to avoid interference due to connection between the splitter and the ship's hull, the splitter base is manufactured in plastic to make it double isolated.

Unused outputs of tap-offs do not need to be terminated. The last line output has to be terminated with 75 Ohms terminating connector (e.g. 500.207).



Size: (H) 57 mm x (W) 75 mm x (D) 30 mm
Holes: 4 x 4.0 mm



Size: (H) 57 mm x (W) 75 mm x (D) 30 mm
Holes: 4 x 4.0 mm

TECHNICAL SPECIFICATIONS

Tap-off TO4F 4-ways with F-connectors

	TO4F-12	TO4F-17	TO4F-21
Frequency range: 0.1–1000 MHz	0.1–1000 MHz	0.1–1000 MHz	0.1–1000 MHz
Tap loss:	12.5 dB	17 dB	21 dB
Through loss:	4.5 dB	3.5 dB	3.5 dB

Tap-off TO2F 2-ways with F-connectors

	TO2F-12	TO2F-17
Frequency range: 0.1–1000 MHz	0.1–1000 MHz	0.1–1000 MHz
Tap loss:	12.5 dB	17 dB
Through loss:	1.5 dB	1.5 dB

Electrical

Directional isolation:	>17 dB
Isolation, TV-TV:	>36 dB
Return loss:	>20 dB
Screening factor:	75 dB
Impedance:	75 Ohm
Operating temp:	-40°C – +60°C
CE specifications according to EN50082-1, EN 50081-1, DIN V VDE 0855 part 10	
Return loss 20 dB from 40 MHz–1.5 dB/octave	
Below 5 MHz the spec may vary	

Mechanical

Weight:	150 g
Material of product housing:	Zn95.38 Cu0.586 Ni0.0147 Sn0.0027
Connector:	Phosphor bronze Sn plated.
Insulator:	ABS 94HB BLACK RAL9005
Mechanical specification value of F-connector Standard:	according to IEC 169-24 12G(U.S.A)8 Range of adopted cable's central pin: Ø0.4–Ø1.2 mm.
Pull Force:	Min. 0.5N
Application:	ETS 3000019
Protection:	IP50 (same as DIN40050)
Storing temperature:	-40.... +80°C Label: Background: gray similar to RAL 7032 Text: black RAL 9005



0605

Since 1971, the objective of Naval Electronics has been to offer the best possible products for TV and Radio reception at sea. Naval began with omnidirectional antennas and is the world leader in this field of technology today. Now, with an expanded product range, the name Naval means much more than antennas. Naval operates in more than 40 countries and has installations on thousands of vessels all over the world.

All specifications stated are subject to change without notice.



Marine Broadband Communication

Naval Electronics AB

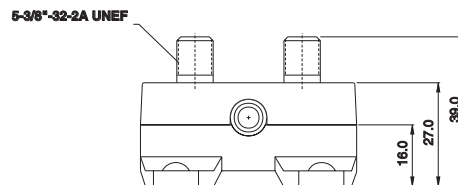
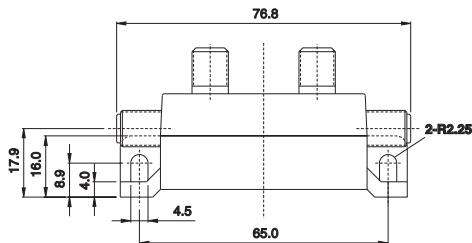
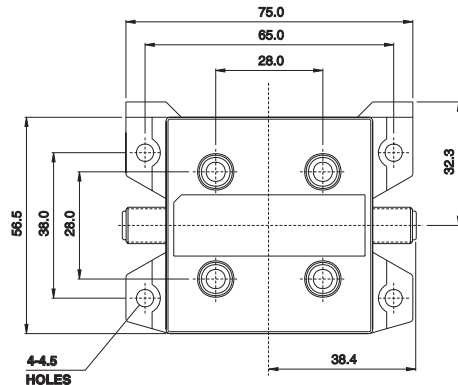
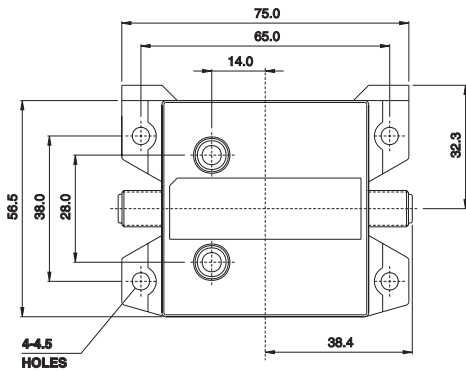
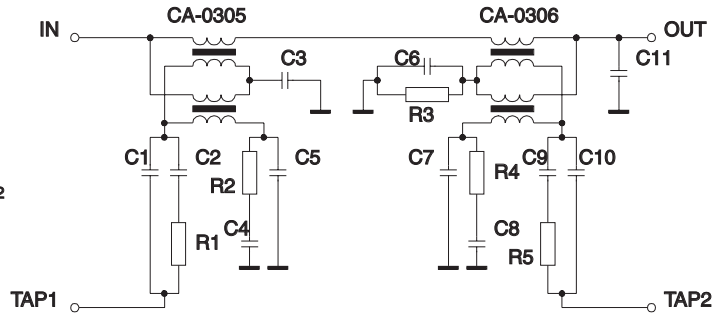
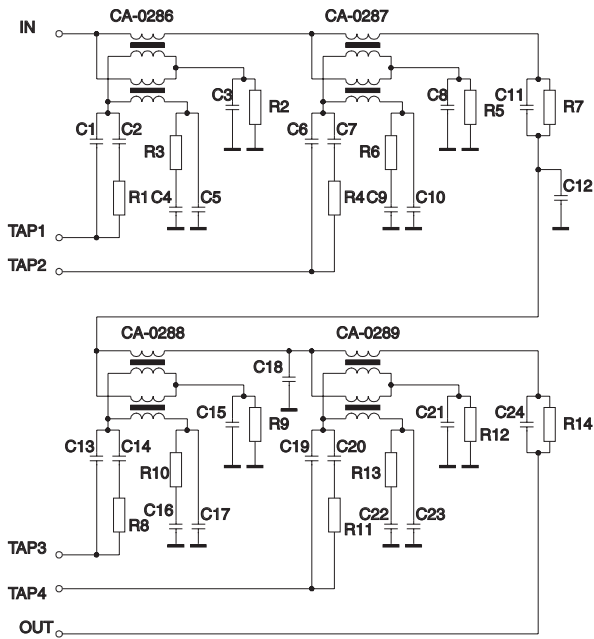
Höjrodergatan 18, SE-212 39 Malmö, Sweden

Tel. +46(0)40-29 20 45. Fax +46(0)40-18 74 13

E-mail: sales@naval.se www.naval.se

8101

Tap-off TO2F & Tap-off TO4F



Tap off TO4F:	TO4F-12	Order No. 201.552
	TO4F-17	Order No. 201.550
	TO4F-21	Order No. 201.553
Tap off TO2F:	TO2F-12	Order No. 201.554
	TO2F-17	Order No. 201.551

Shipping weight: 0.2 kg
Standard package: 1