

Outlets

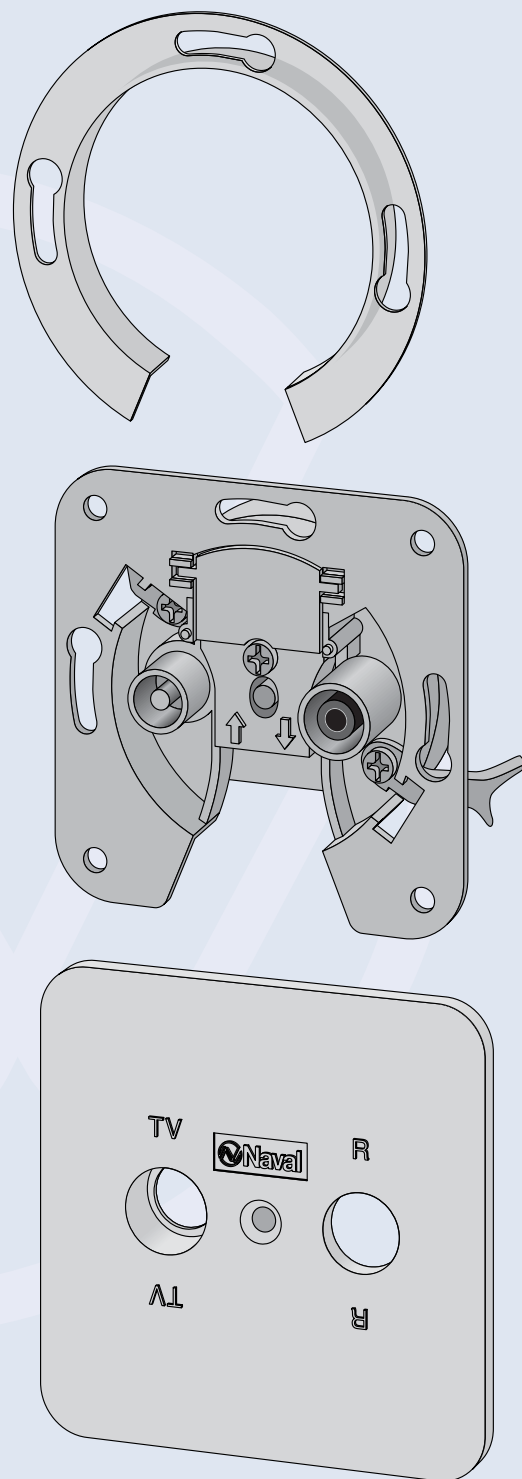
Naval outlets N13 and N4 is a TV/Radio outlet that has been designed especially for marine purposes and covers the complete TV/Radio frequencies of 0.1–890 MHz world-wide.

N13 is intended for use in a loop system with max. 8 outlets on each branchline. N4 is for star net only, where each output from a tap-off or splitter can feed max. two N4, even though it is recommendable to use only one.

The frame called N, for surface mounting, is designed to fit all the Naval outlets. It is manufactured in white ABS plastic RAL 1013.

The standard supply of Naval outlets includes a full size white ABS plastic cover in RAL 1013 (76 x 76 mm).

For terminating a line, the last outlet is to be provided with a 75 Ohm matching resistor, the order number is 201.510.



TECHNICAL SPECIFICATIONS

	N 13	N 4
Frequency range:	0.1–890 MHz	0.1–890 MHz
Tap loss:	13.5 dB	4.5 dB
Through loss:	2.0 dB	4.5 dB
Isolation, TV-TV:	≥40 dB	≥24 dB
Return loss:	>17 dB	>10 dB
Screening factor:	>75 dB	>75 dB
Impedance:	75 Ohm	75 Ohm
Operating temp.:	-40 – +60°C	-40 – +60°C
Weight:	130 g	130 g



Size: (H) 76 x (W) 76 x (D) 32 mm

0611

Since 1971, the objective of Naval Electronics has been to offer the best possible products for TV and Radio reception at sea. Naval began with omnidirectional antennas and is the world leader in this field of technology today. Now, with an expanded product range, the name Naval means much more than antennas. Naval operates in more than 40 countries and has installations on thousands of vessels all over the world.

All specifications stated are subject to change without notice.

 **Naval**[®]
Marine Broadband Communication



Naval Electronics AB

Höjrodergatan 18, SE-212 39 Malmö, Sweden

Tel. +46(0)40-29 20 45. Fax +46(0)40-18 74 13

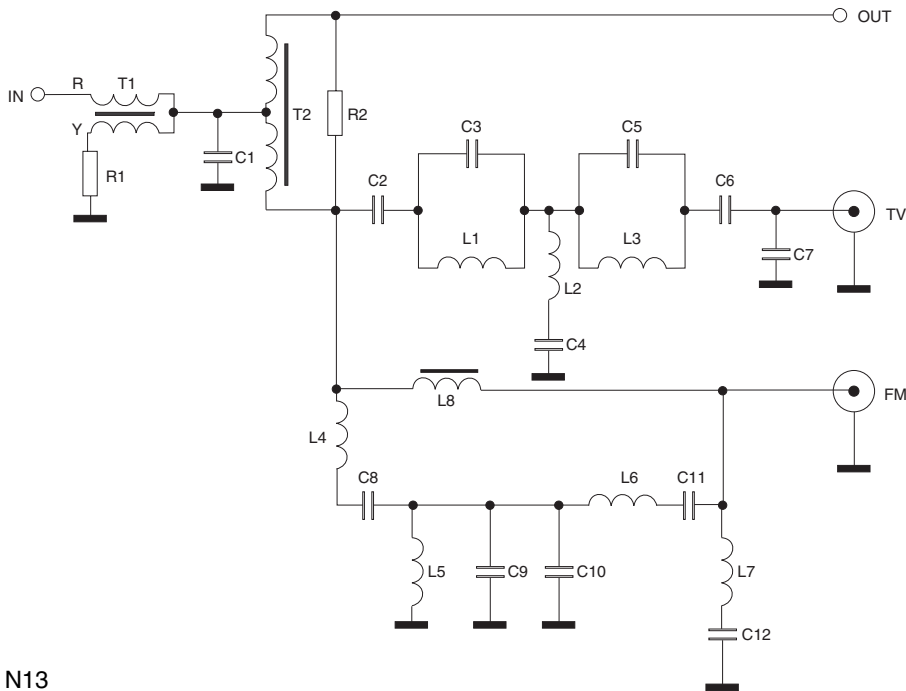
E-mail: sales@naval.se

www.naval.se

7101

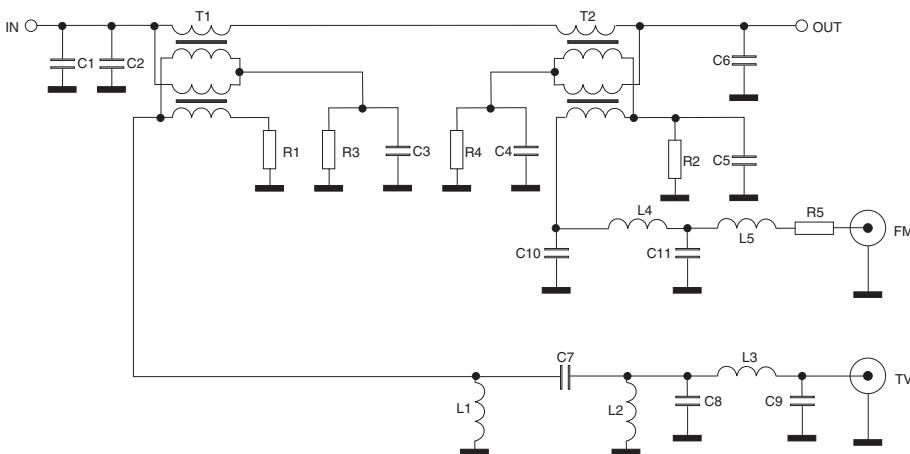
Outlets

N4

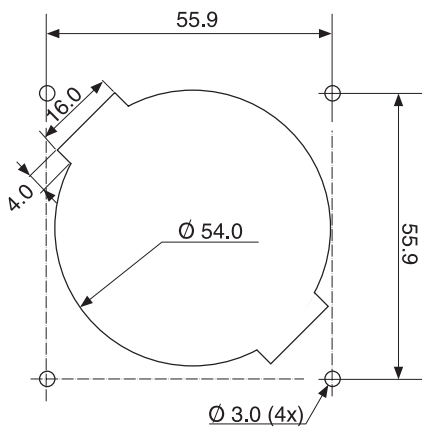


As optional, we have made two new covers for our outlets in case **only TV or Radio** should be distributed.

N13



panel cutting



Outlet: N4	Order No. 201.504
N13	Order No. 201.500
N frame	Order No. 201.501
N75	Order No. 201.510
Shippingweight: 0.16 kg Standard package: 1	