

Double isolated TV/Radio Outlets

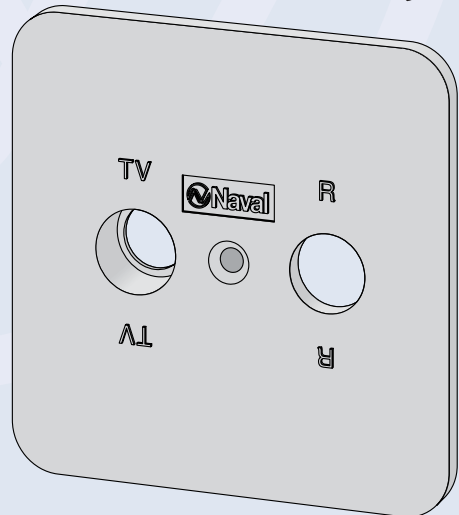
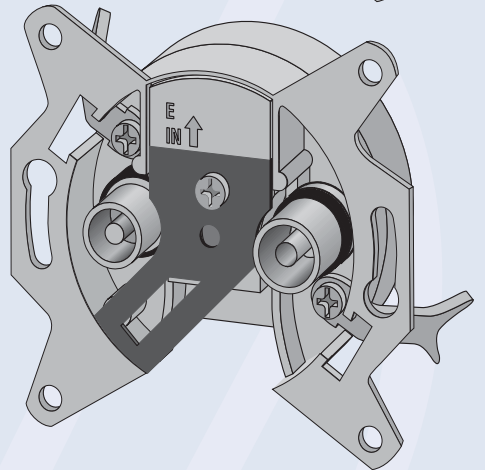
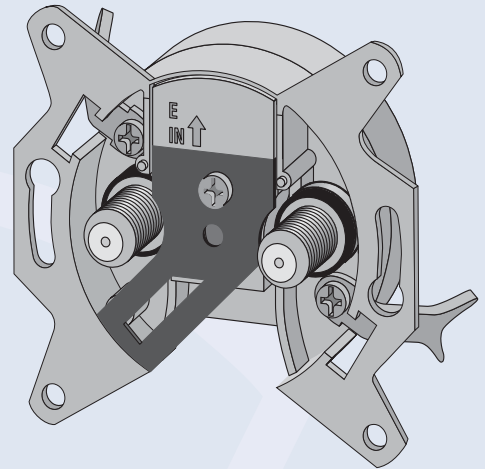
Naval double galvanically isolated outlets N1 with IEC 9.5 mm connectors or F-connectors are a new series that have been designed especially for marine use and covers the complete TV-Radio frequencies of 0.1–890 MHz world-wide.

N1 is galvanically double isolated to avoid problems with interference and grounding which are quite common in larger systems.

The outlet has improved RL and surge protection witch makes it especially suitable for digital signals.

N1 is for star net only, where each output from a tap-off or a splitter can feed max. one N1.

The frame called N, for surface mounting, is designed to fit all the Naval outlets. It is manufactured in white plastic RAL 1013. The standard supply of Naval outlets includes a full size white cover RAL 1013 (76 x 76 mm). N1 need not be terminated.



TECHNICAL SPECIFICATIONS N1

Frequency range:	TV	47–68 MHz; 130–890 MHz	
	R	0.1–30 MHz, 88–120 MHz	
Through loss:	In-TV	47–68 MHz	1 dB nom. 2.8 dB max.
		130–890 MHz	1 dB nom. 1.5 dB max.
	In-R	0.1–30 MHz	2.5 dB nom. 4 dB max.
		88–108 MHz	1 dB nom. 1.8 dB max.
Isolation:	TV-R		12 dB min.
	Return loss:	In	5–890 MHz
	TV	47–68 MHz	10 dB min.
		130–890 MHz	14 dB min.
	R	88–108 MHz	10 dB min.
		Connectors:	Input
	TV	"F" Female/IEC male	
	R	"F" Female/IEC female	
			75 Ohms
Impedance:			
Galvanic isolation:	400 V		
	Optional 2.5 kV with reduced frequency range only special order		
Screening factor:	TV	35 dB	
	R	43 dB	
Operating temp.:		-40 – +60°C	
Weight:		110 g	



Size: (H) 76 x (W) 76 x (D) 32 mm

0702

Since 1971, the objective of Naval Electronics has been to offer the best possible products for TV and Radio reception at sea. Naval began with omnidirectional antennas and is the world leader in this field of technology today. Now, with an expanded product range, the name Naval means much more than antennas. Naval operates in more than 40 countries and has installations on thousands of vessels all over the world.

All specifications stated are subject to change without notice.



Naval Electronics AB

Höjrodergatan 18, SE-212 39 Malmö, Sweden

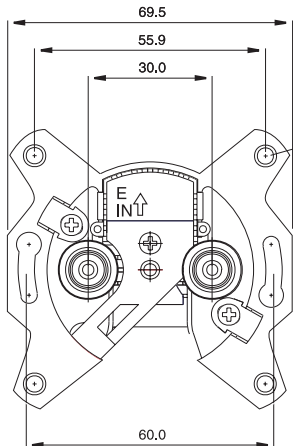
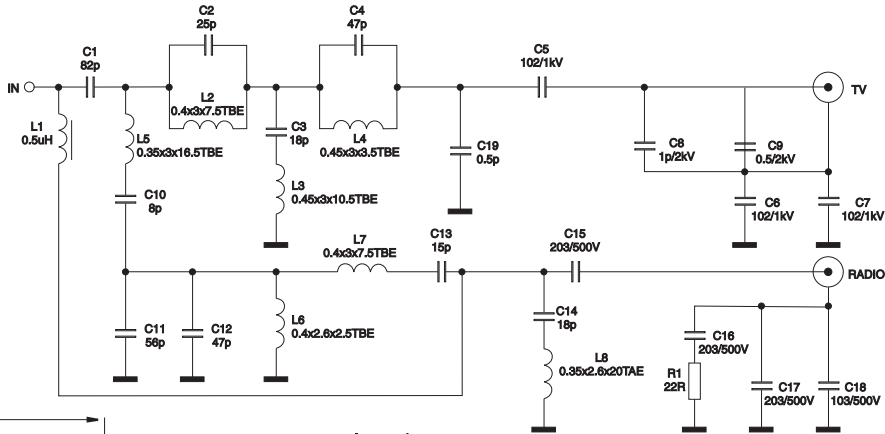
Tel. +46(0)40-29 20 45. Fax +46(0)40-18 74 13

E-mail: sales@naval.se www.naval.se

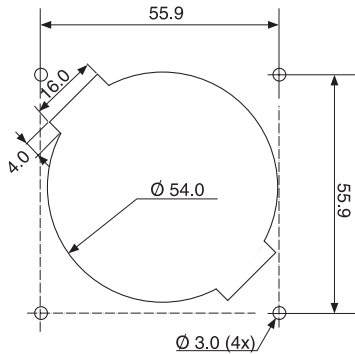
7104

Double isolated TV/Radio Outlets

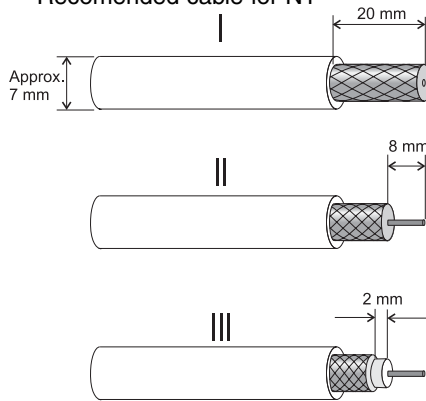
N1 Schematic



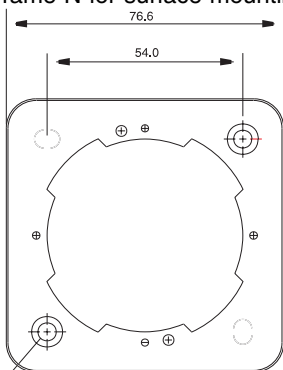
panel cutting



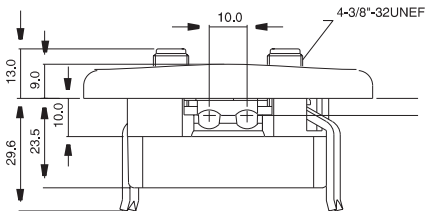
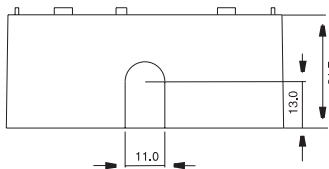
Recommended cable for N1



Frame N for surface mounting



HOLES 2x4.75 mm



TECHNICAL SPECIFICATIONS N1

Mechanical:

Material of products Housing: Zn95.38 Cu0.586 Ni0.0147 Sn0.0027
 Connector: Phosphor Bronze Sn plated.
 Isolator: ABS 94HB BLACK RAL9005
 Mechanical specification of F-connector Standard: according to IEC 169-24 12G(U.S.A)8 Range of adopted cable's central pin: Ø0.4-Ø1.2 mm. Pull Force: Min. 0.5N
 Application: ETS 3000019
 Protection: IP50 (same as DIN40050)
 Storing temperature: -40.... +80°C

Cover and frame

Colour: White RAL1013
 Material: ABS plastic

Outlet:	N1 IEC	Order No. 201.503-I
	N1 F	Order No. 201.503-F
Frame:	N type	Order No. 201.501

Cover: TV-Radio cover Order No. Included with outlet

Shippingweight: 0.15 kg, Standard package: 1