

BM450 DSB modulator for S-channels

Naval's new double side band S-channel TV modulator BM-450 is designed for operation in the frequency range of 245.25-463.25 MHz in PAL B/G, D/K, I, and NTSC M/N systems.

High adjustable output level is significant for this unit. The modulator is equipped with two individual input level adjustments for video and audio signal.

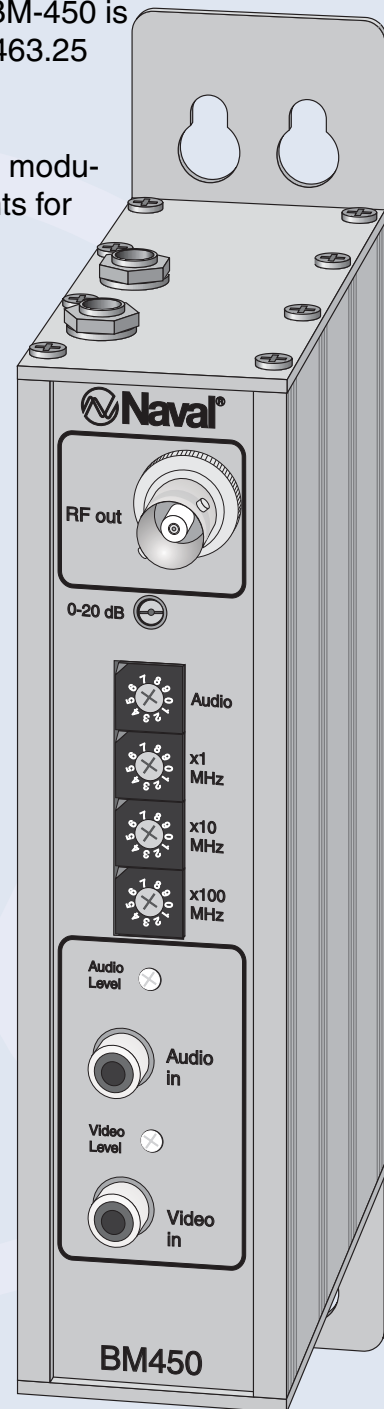
Front panel control switches for easy setting of output frequency and all video, audio and RF outputs in the front for easy connection. The module can be installed into a cabinet or separately.

Please contact Naval for more detailed information.

TECHNICAL SPECIFICATIONS

HF	
Frequency Range:	245.25 - 463.25 MHz (S13-S39)
Frequency Range with reduced output level:	455.25 - 463.25 MHz (S40 and S41)
Output level:	min 92 dB μ V (S13-S39)
Output level:	90 dB μ V (S40 and S41)
Spurious output:	<-60 dBc
Harmonics:	<-60 dBc
Attenuation adjustment:	0 - 20 dB
Output impedance:	75 Ohm
Video	
Impedance:	75 Ohm
level:	nominal 500 mV _{pp}
Audio (mono)	
Impedance:	>10 kOhm
level:	nominal 500 mV _{rms}
Misc.	
Operation temp.range:	-40 - +60°C
Supply voltage:	24 V DC \pm 10%
Current consumption:	100 mA (approx)
Size (mm):	(H) 210 x (W) 41X (D) 96
Weight:	0.4 kg
EMC:	EN 60945:2002, EN 50083-2
Connectors	
Video in:	RCA connector female, pict. (A)
Audio in:	RCA connector female, pict. (A)
RF out:	75 Ohm BNC female
DC connector:	Upper gable, pict. (B)

(For illustrations, turn over page)



Size: (H) 210 x (W) 41X (D) 96 mm

0605

Since 1971, the objective of Naval Electronics has been to offer the best possible products for TV and Radio reception at sea. Naval began with omnidirectional antennas and is the world leader in this field of technology today. Now, with an expanded product range, the name Naval means much more than antennas. Naval operates in more than 40 countries and has installations on thousands of vessels all over the world.

All specifications stated are subject to change without notice.



Naval Electronics AB

Höjrodergatan 18, SE-212 39 Malmö, Sweden

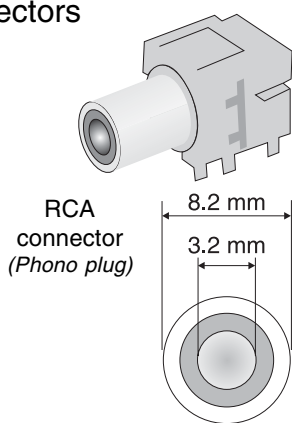
Tel. +46(0)40-29 20 45. Fax +46(0)40-18 74 13

E-mail: sales@naval.se www.naval.se

6129

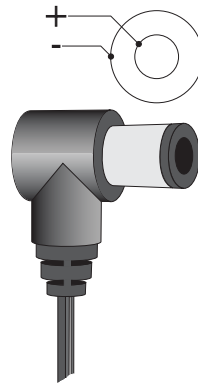
BM450 DSB modulator for s-channels

Connectors

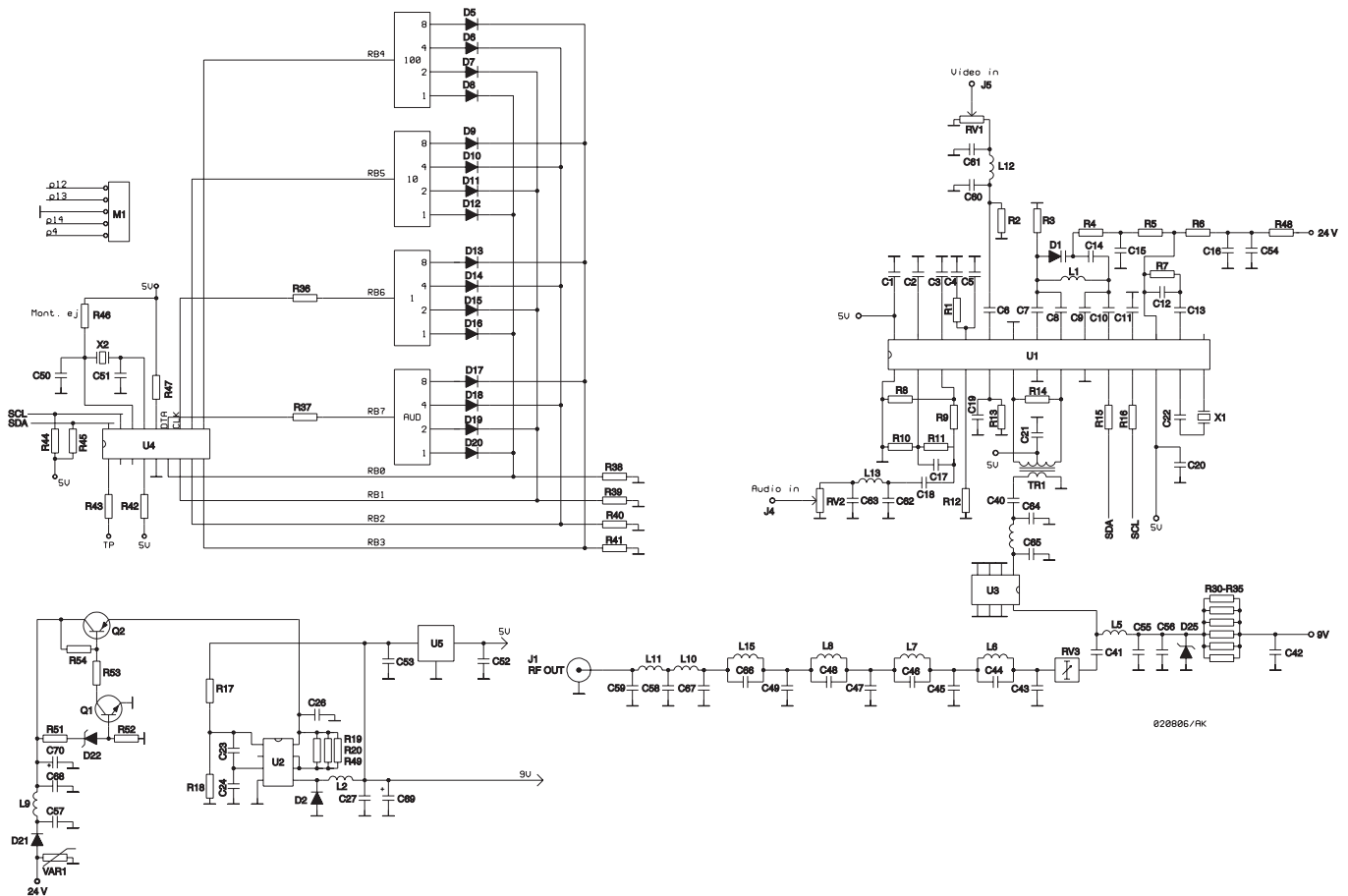


(A)

(B)



Schematic diagram for BM450



Description	Order No.	Shipping weight: 0.48 kg
BM450	250.145	Standard package: 1