

Satellite TV Antenna NavSat® 60E/90E

NavSat 60E/90E is a two-axis satellite TV antenna with dynamic skew control. The antenna requires no GPS or external gyro connection which makes the installation and operation of the antenna fast and easy.

An array of piezoelectric gyroscopes and accelerometers keep the antenna pointing towards the chosen satellite irrespective of weather conditions.

The antenna with its new pedestal in cast aluminium is designed for professional use in demanding sea conditions. Satellites are selected with a small Antenna Control Unit (ACU) and the antenna automatically verifies that it is tracking the correct satellite using a proprietary software.

The Antenna Control Unit has a simple and straightforward user interface where satellite selection and other operations can be made with a few keystrokes.



TECHNICAL SPECIFICATIONS

NS60E		NS90E	
Antenna diameter	600 mm	Antenna diameter	900 mm
Radome diameter	685 mm	Radome diameter	1045 mm
Radome height	790 mm	Radome height	1175 mm
Weight incl. radome	45 kg	Weight incl. radome	63 kg
LNB	Ku-band quattro	LNB	Ku-band quattro
Minimum EIRP level (FEC2/3):	46 dBW	Minimum EIRP level (FEC2/3):	43 dBW
Polarisation:	Simultaneous vertical/horizontal	Polarisation:	Simultaneous vertical/horizontal
Azimuth range	630°	Azimuth range	630°
Elevation range	-10 to 120°	Elevation range	-8 to 120°
Polarotor range	±90°	Polarotor range	±90°
Maximum antenna elevation	70°	Maximum antenna elevation	70°
Ship's motion		Ship's motion	
Yaw/turn angular velocity	40°/s	Yaw/turn angular velocity	40°/s
Yaw/turn angular acceleration	25°/s ²	Yaw/turn angular acceleration	25°/s ²
Roll/pitch angular velocity	40°/s	Roll/pitch angular velocity	40°/s
Roll/pitch angular acceleration	25°/s ²	Roll/pitch angular acceleration	25°/s ²
Operating temperature	-25 to 55°C	Operating temperature	-25 to 55°C
Humidity	0-100% RH	Humidity	0-100% RH
Wind speed	50 m/s	Wind speed	50 m/s
Voltage	24 V DC±10%	Voltage	24 V DC±10%
Current	3 A	Current	3 A
Starting current	6 A	Starting current	6 A
Approvals		Approvals	
EMC	EN 60945:2002	EMC	EN 60945:2002
Safety	EN 60950	Safety	EN 60950
Vibration	EN/IEC 60945:2002	Vibration	EN/IEC 60945:2002



1001

Since 1971, the objective of Naval Electronics has been to offer the best possible products for TV and Radio reception at sea. Naval began with omnidirectional antennas and is the world leader in this field of technology today. Now, with an expanded product range, the name Naval means much more than antennas. Naval operates in more than 40 countries and has installations on thousands of vessels all over the world.

All specifications stated are subject to change without notice.



Naval Electronics AB

Höjrodergatan 18, SE-212 39 Malmö, Sweden

Tel. +46(0)40-29 20 45. Fax +46(0)40-18 74 13

E-mail: sales@naval.se www.naval.se



SWEDAC ACCREDITING
DNV
ISO 9001
EN 45001
SSE-EN ISO 9001

3048

Satellite TV Antenna NavSat® 60E/90E

Standard Installation

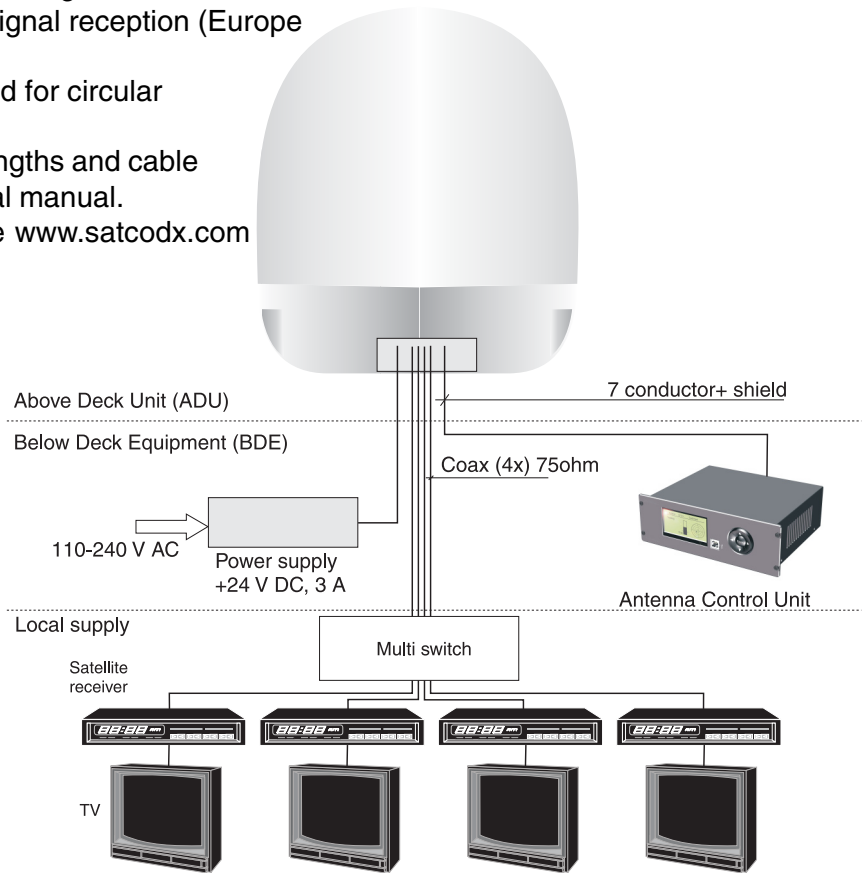
As standard the Satellite TV Antenna is configured with a quatro LNB for linear (simultaneous) signal reception (Europe and Asia).

The quatro LNB can also be configured for circular reception (USA).

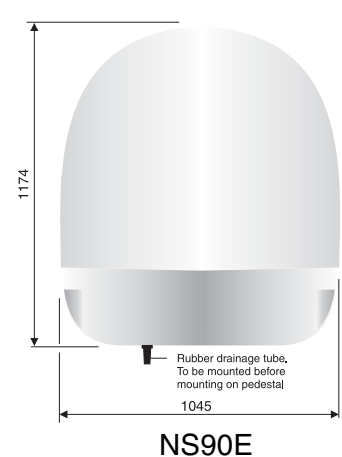
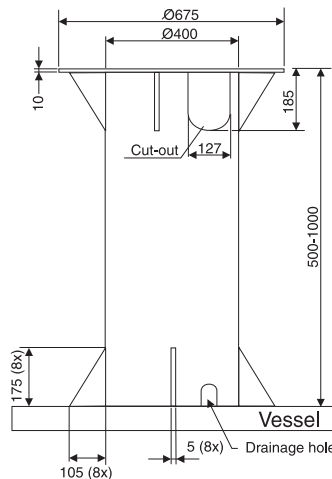
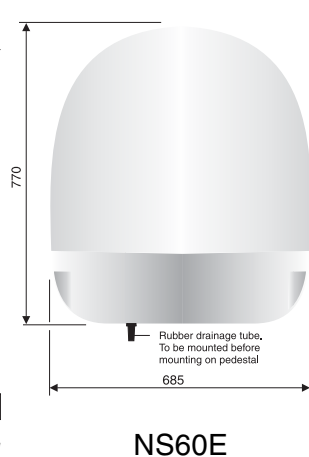
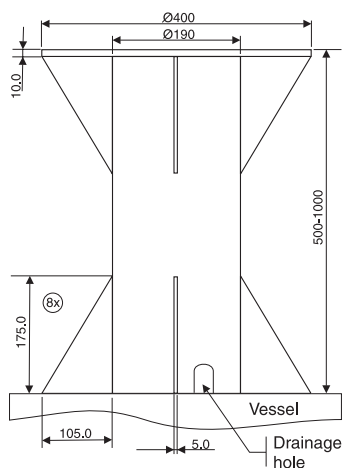
For complete information about cable lengths and cable area please consult the NavSat technical manual.

For satellite channels and footprints see www.satcodx.com and lyngsat.com.

Antenna Control Unit, ACU,
built in size W188 mm x H60 mm x D180 mm



Radome mounting



Order No. 250060
Order No. 250060-U
Order No. 250090
Order No. 250090-U

NS60E linear polarisation Shipping weight: 70 kg
NS60E circular polarisation Size: 800x800x950 mm
NS90E linear polarisation Shipping weight: 100 kg
NS90E circular polarisation Size: 1150x1150x1350 mm