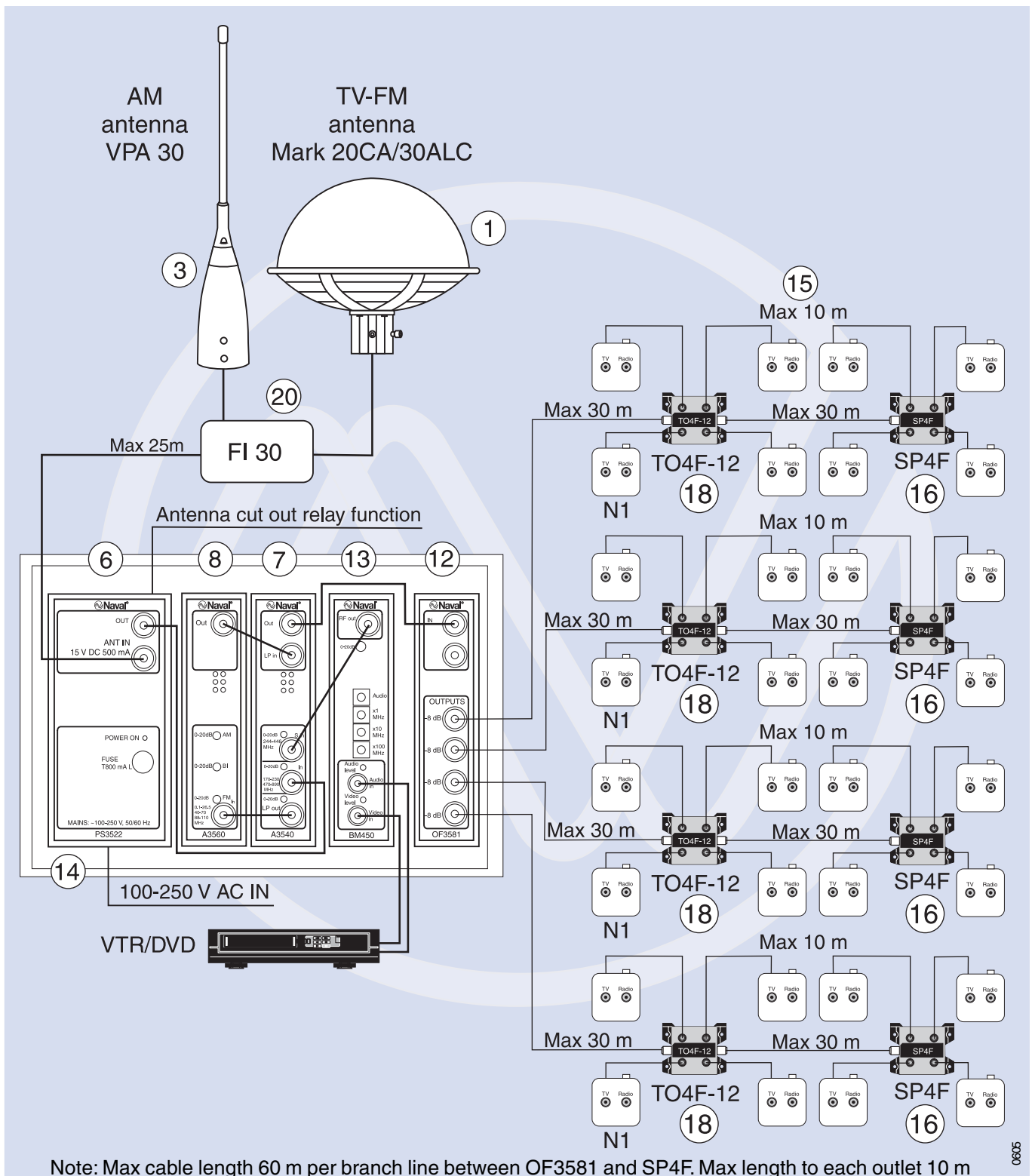


NAVPLAN 32 TV/RADIO OUTLETS



Since 1971, the objective of Naval Electronics has been to offer the best possible products for TV and Radio reception at sea. Naval began with omnidirectional antennas and is the world leader in this field of technology today. Now, with an expanded product range, the name Naval means much more than antennas. Naval operates in more than 40 countries and has installations on thousands of vessels all over the world.

All specifications stated are subject to change without notice.

© Copyright 2006 Naval Electronics AB



Marine Broadband Communication

Naval Electronics AB

Höjrodergatan 18, SE-212 39 Malmö, Sweden

Tel. +46(0)40-29 20 45. Fax +46(0)40-18 74 13

E-mail: sales@naval.se www.naval.se

2022

NAVPLAN 32 TV/RADIO OUTLETS

BILL OF MATERIAL

QUANTITIES ARE FOR ONE SHIP SET

ITEM. NO	QTY	SIZE w×h×d (mm)	DESCRIPTION	ART. NO	REMARKS	REV
1		Diam: 460 Height: 370	Mark 22CA with BNC+25 m coaxial cable TV-AM-FM antenna	201.040	Optional	
2	1	Diam: 460 Height: 370	Mark 20CA with BNC+25 m coaxial cable TV-FM antenna	201.001		
3	1	Max length: 1050 Wide: (base): 84	VPA 30 with BNC +25 m coaxial cable AM-Antenna	210.080		
20	1	100x182x70	Fi 30, Filter for combining Mk20CA and VPA 30	201.565		
6	1	82x210x96	PS3522 Power box 100-250 VAC	201.845		
7	1	41x210x96	A3540 TV-amplifier BNC	201.800		
8	1	41x210x96	A3560 AM-FM-amplifier BNC	201.825		
13	1	41x210x96	BM450, S-channel modulator	250.145	Optional	
12	1	41x210x96	OF 3581 Output-filter BNC	201.840		
14	1	500x300x200	CA3050 Cabinet CAS (Replaces KGT 2415)	201.364		
25	3		DC connecting cable between units in , CAS 3500	201.513		
26	2	135 mm length	Cable BNC, male-male	201.516		
33	3	250 mm length	Cable BNC, male-male	201.523		
28	5		BNC angle twist on for AFZ 75110 or RG6	201.527		
16	4	75x57x30	SP4F 4-way splitter shielded	201.555		
18	4	75x57x30	TO4F-12 4-way 12 dB tap off	201.552		
15	32		N1, TV/Radio Outlet	201.503	State IEC or F-connectors	
31	32	77x77x32	N mounting frames	201.501	Optional	
29	32	1500mm length	Cord, IEC for TV or Radio	201.410		
30	~600m	Max length	Coaxial cable AFZ 75110*	201.594		

*Can be replaced by similar coax cable as per enclosed specification

TECHNICAL SPECIFICATIONS

Type	AF 75110AFZ Indoor use
Structure	
Center conductor Ø (mm)	1.1
Material	Cu
Outer conductors	Alu-Foil
Mantel Ø (mm)	6.8
Material	PVC
Characteristic impedance	75 Ohm ± 3%
EMC:	EN 50081-1, EN 50082-1
Attenuation:	
50 MHz	4.9
100 MHz	6.3
at 20°C	
200 MHz	8.5
300 MHz	10.8
dB/100 m	
450 MHz	13.0
800 MHz	18.4
1000 MHz	20.6
1350 MHz	23.7
1750 MHz	27.2
Return loss dB	
25–300 MHz	18 dB
300–600 MHz	15 dB
600–960 MHz	13 dB
Screening factor (dB)	>75
Capitance pF/m	67
Velocity of signal propagation v/c	0.66
Direct-current resistance Ohm/km	
Inner conductor	19
Outer conductor	11
Minimum bending radius (mm)	60
Weight approx. kg/100 m	5.1 kg
Shipping	100 m roll 5.5 kg
Order No	201.594

See also leaflet 9102A

